

柔性链

FLEXIBLE CHAINS

箱格链

CASE CONVEYOR CHAINS

龙骨链

MULTIFLEX CHAINS

特殊链

SPECIAL CHAINS

塑料模块网带

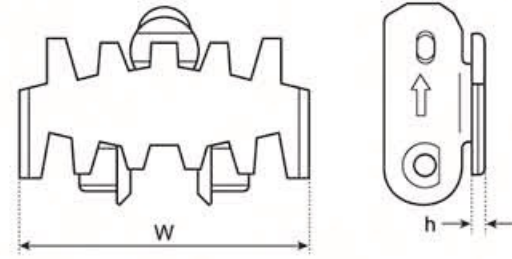
PLASTIC MODULAR BELTS



柔性链 Flexible Chains

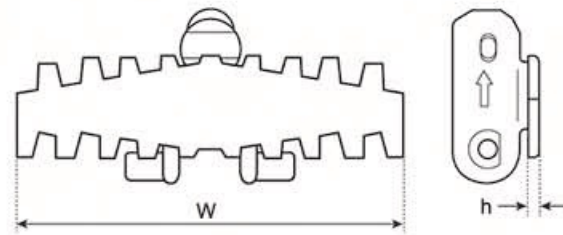
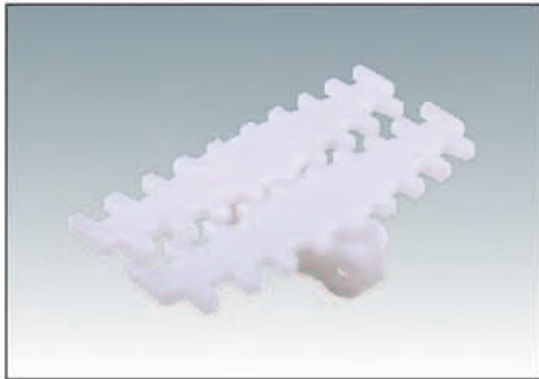
FLEXIBLE CHAINS

平链 Plain Chain



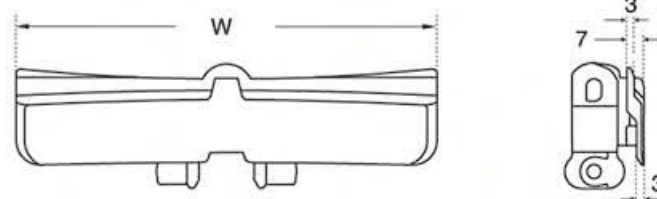
链条编号 Chain Code	节距 Pitch (mm)	链板宽度 Chain Width W (mm)	链板厚度 Plate Thickness h (mm)
N - S44P	25.4	44	3
N - S56P	25.4	56	3.5
N - L63P	25.4	63	3.5
N - L70P	25.4	70	4
N - L80P	30	80	3.5
N - M83P	33.5	83	4
N - H100P	35.5	100	4.2
N - H103P	35.5	103	4.5

平链 Plain Chain



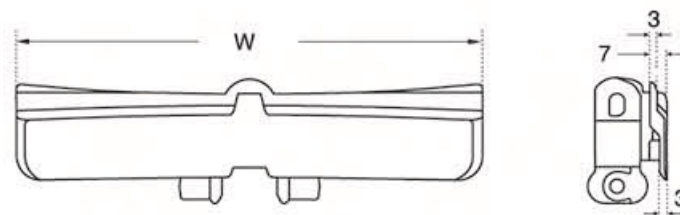
链条编号 Chain Code	节距 Pitch (mm)	链板宽度 Chain Width W (mm)	链板厚度 Plate Thickness h (mm)
N - 140P	33.5	140	5.0

平链 Plain Chain



链条编号 Chain Code	节距 Pitch (mm)	链板宽度 Chain Width W (mm)
N - 175P	33.5	175

平链 Plain Chain



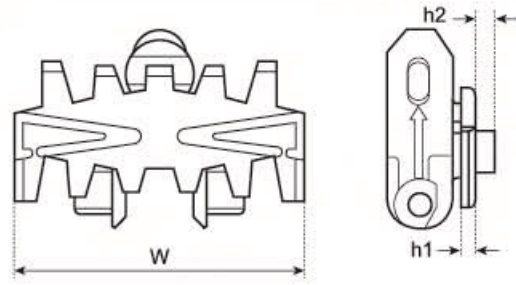
链条编号 Chain Code	节距 Pitch (mm)	链板宽度 Chain Width W (mm)
N - 295P	33.5	295



链轮 Sprocket
Page C17

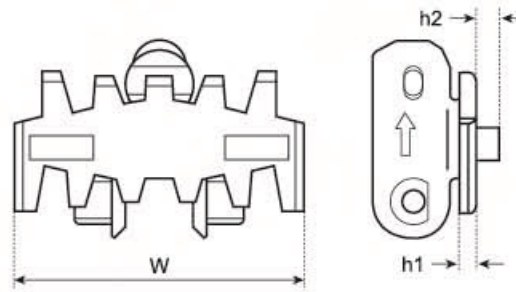
柔性链 Flexible Chains

楔链 A 型 Cleat Chain Type A



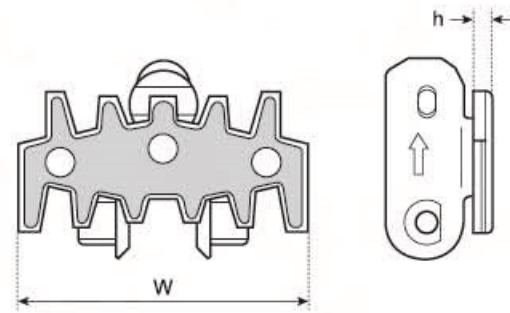
链条编号 Chain Code	节距 Pitch (mm)	链板宽度 Chain Width W (mm)	链板厚度 Plate Thickness h1 (mm)	楔形高度 Cleat Height h2 (mm)
N - L63CA	25.4	63	3.5	4 / 5.5 / 9 / 12 / 17 / 30
N - M83CA	33.5	83	4	15 / 30
N - H103CA	35.5	103	4.5	15 / 20 / 30 / 40

楔链 B 型 Cleat Chain Type B



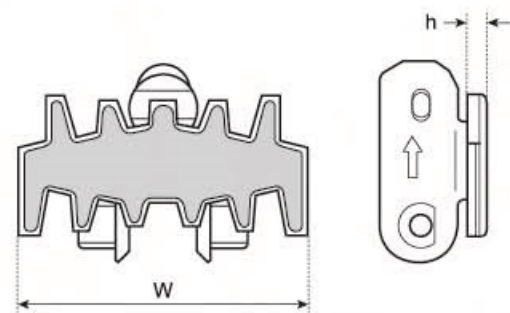
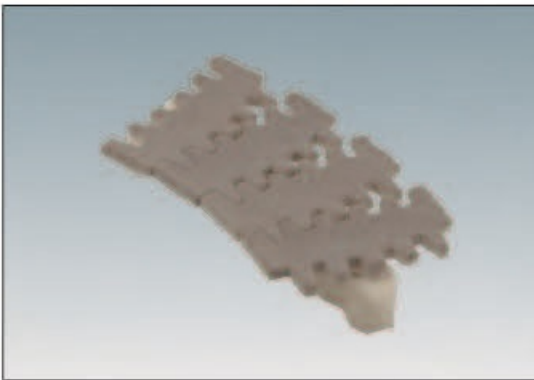
链条编号 Chain Code	节距 Pitch (mm)	链板宽度 Chain Width W (mm)	链板厚度 Plate Thickness h1 (mm)	楔形高度 Cleat Height h2 (mm)
N - S51CB	25.4	51	3.5	3
N - L63CB	25.4	63	3.5	3.5
N - L83CB	33.5	83	3.5	3.5

钢顶链 Steel Top Chain



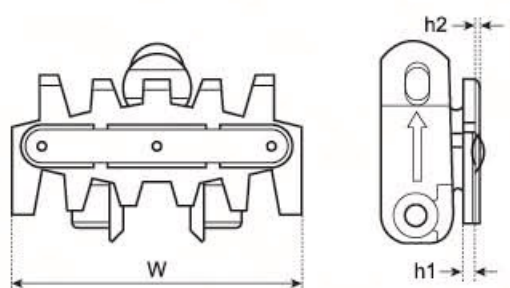
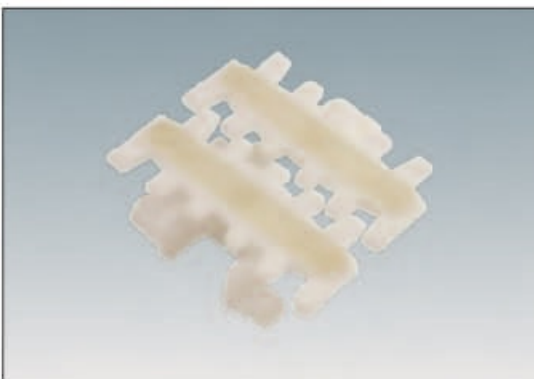
链条编号 Chain Code	节距 Pitch (mm)	链板宽度 Chain Width W (mm)	链板厚度 Plate Thickness h (mm)
N - L63ST	25.4	63	4.5
N - M83ST	33.5	83	5
N - H103ST	35.5	103	6.1

绒顶链 Flocked Chain



链条编号 Chain Code	节距 Pitch (mm)	链板宽度 Chain Width W (mm)	链板厚度 Plate Thickness h (mm)
N - L63FC	25.4	63	4
N - M83FC	33.5	83	4.5
N - H103FC	35.5	103	5

摩擦顶链 Friction Top Chain

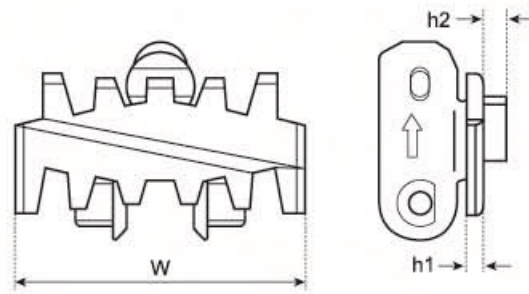


链条编号 Chain Code	节距 Pitch (mm)	链板宽度 Chain Width W (mm)	链板厚度 Plate Thickness h1 (mm)	摩擦部分高度 Height of Friction Part h2 (mm)
N - L63FT	25.4	63	3.5	2.5
N - M83FT	33.5	83	4	3
N - H103FT	35.5	103	4.5	3

柔性链 Flexible Chains

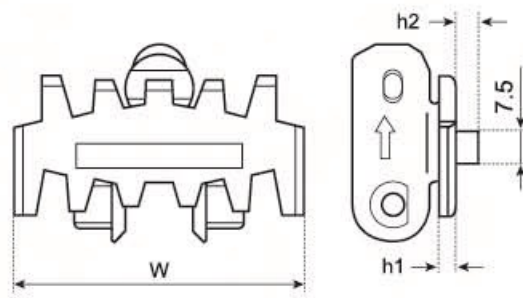
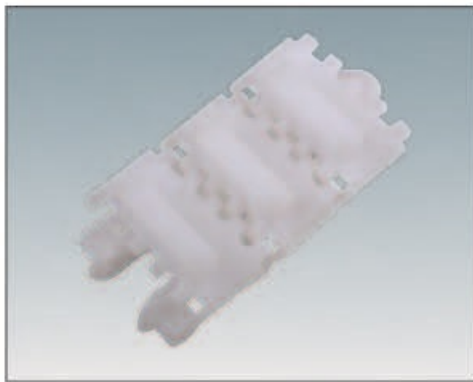
FLEXIBLE CHAINS

楔链 C 型 Cleat Chain Type C



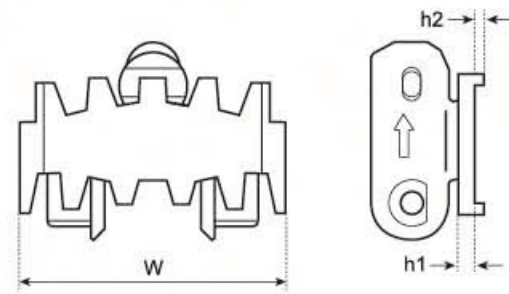
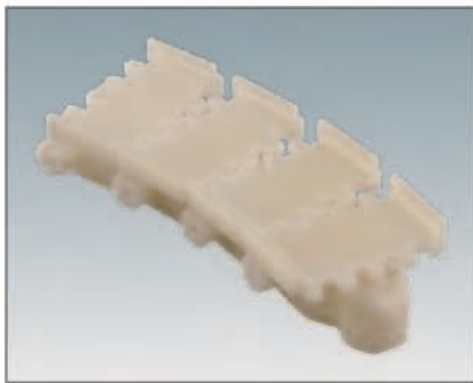
链条编号 Chain Code	节距 Pitch (mm)	链板宽度 Chain Width W (mm)	链板厚度 Plate Thickness h1 (mm)	楔形高度 Cleat Height h2 (mm)
N-L63CCL (Left)	25.4	63	3.5	9
N-L63CCR (Right)	25.4	63	3.5	9

楔链 D 型 Cleat Chain Type D



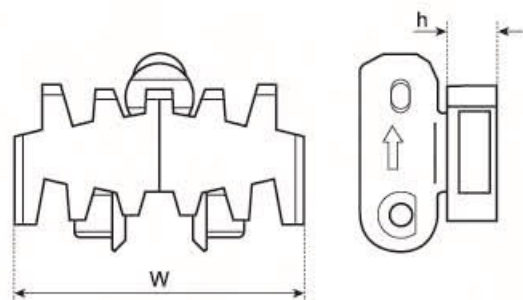
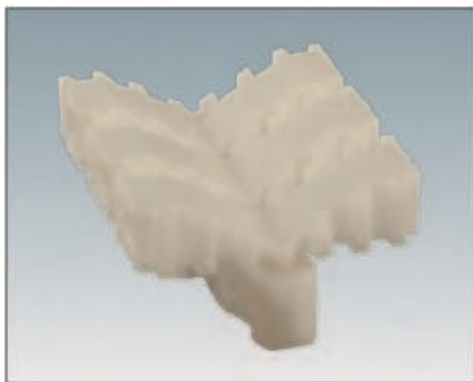
链条编号 Chain Code	节距 Pitch (mm)	链板宽度 Chain Width W (mm)	链板厚度 Plate Thickness h1 (mm)	楔形高度 Cleat Height h2 (mm)
N - S44CD	25.4	44	3.5	9

楔链 E 型 Cleat Chain Type E



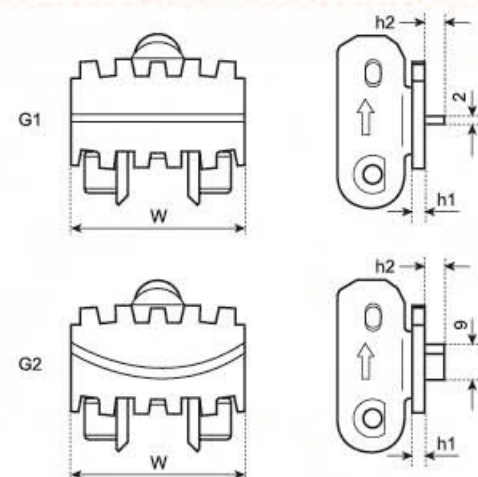
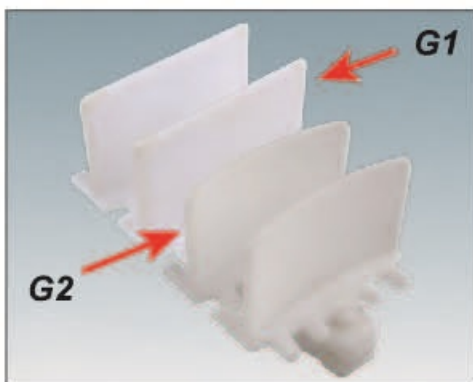
链条编号 Chain Code	节距 Pitch (mm)	链板宽度 Chain Width W (mm)	链板厚度 Plate Thickness h1 (mm)	楔形高度 Cleat Height h2 (mm)
N - S44CE	25.4	44	3.5	2.5

楔链 F 型 Cleat Chain Type F



链条编号 Chain Code	节距 Pitch (mm)	链板宽度 Chain Width W (mm)	楔形高度 Cleat Height h (mm)
N - S44CF	25.4	44	12
N - L63CF	25.4	63	15
N - M83CF	33.5	83	15

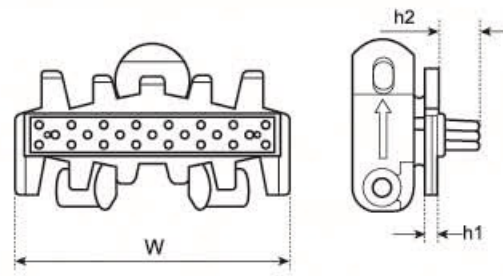
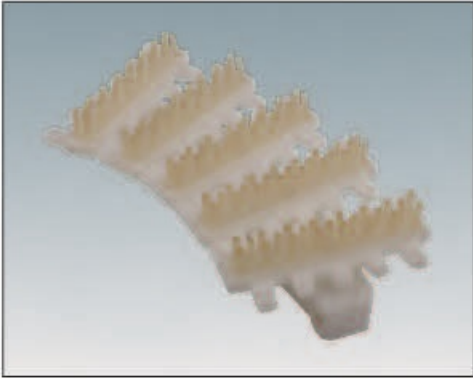
楔链 G 型 Cleat Chain Type G



链条编号 Chain Code	节距 Pitch (mm)	链板宽度 Chain Width W (mm)	链板厚度 Plate Thickness h1 (mm)	楔形高度 Cleat Height h2 (mm)
N - S44CG1	25.4	44	3	3 / 5 / 9
N - L63CG1	25.4	63	3.5	15 / 30 / 40
N - M83CG1	33.5	83	4	30 / 40 / 50
N - S44CG2	25.4	44	3	3 / 5 / 9
N - L63CG2	25.4	63	3.5	15 / 30 / 40
N - M83CG2	33.5	83	4	30 / 40 / 50

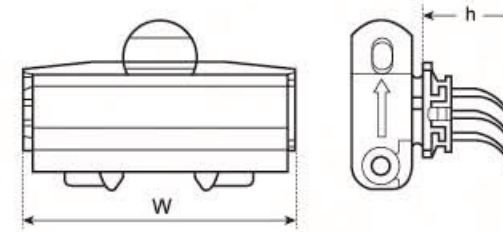
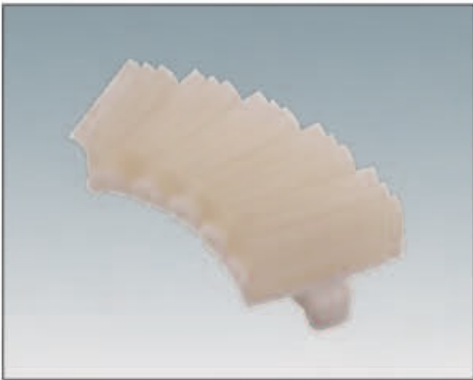
柔性链 Flexible Chains

弹性楔链 B 型
Flexible Cleat Chain type B



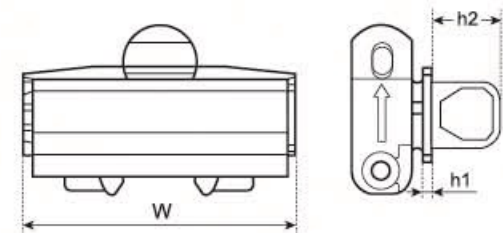
链条编号 Chain Code	节距 Pitch (mm)	链板宽度 Chain Width W (mm)	链板厚度 Plate Thickness h1 (mm)	楔形高度 Cleat Height h2 (mm)
N - S44FCB	25.4	44	3	12.5
N - L63FCB	25.4	63	3.5	12.5
N - M83FCB	33.5	83	4	12.5
N - H103FCB	35.5	103	4.5	12.5
N - H120FT	35.5	120	4.5	12.5

弹性楔链 C 型
Flexible Cleat Chain type C



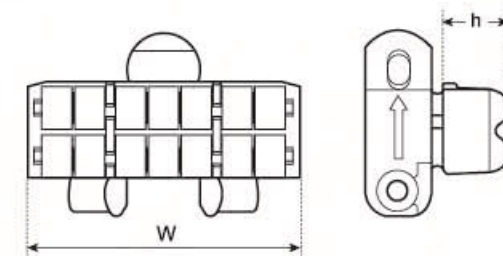
链条编号 Chain Code	节距 Pitch (mm)	链板宽度 Chain Width W (mm)	弹性楔总高度 Flexible Cleat Height h (mm)
N - L63FCC	25.4	63	26
N - M83FCC	33.5	83	26

弹性楔链 G 型
Flexible Cleat Chain type G



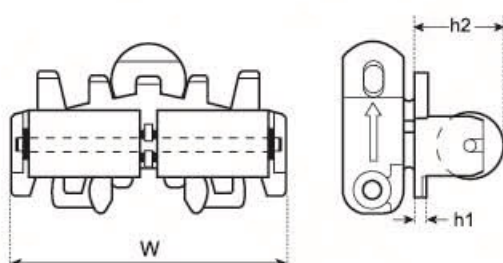
链条编号 Chain Code	节距 Pitch (mm)	链板宽度 Chain Width W (mm)	链板厚度 Plate Thickness h1 (mm)	弹性楔总高度 Flexible Cleat Height h2 (mm)
N - L63FCG	25.4	63	3.5	30
N - M83FCG	33.5	83	4	30

滚轮顶链
Roller Top Chain



链条编号 Chain Code	节距 Pitch (mm)	链板宽度 Chain Width W (mm)	滚珠直径 Dia. of Roller (mm)	滚珠总高度 Roller Height h (mm)
N - M83RT	33.5	83	4	19
N - H103RT	35.5	103	4.5	19

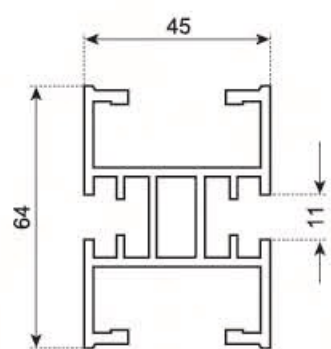
滚轮楔链
Roller Cleat Chain



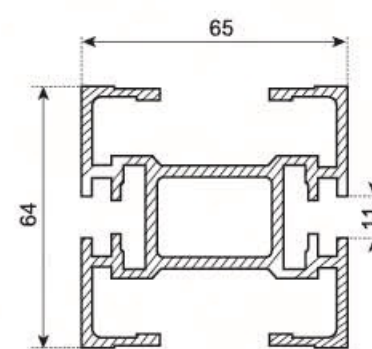
链条编号 Chain Code	节距 Pitch (mm)	链板宽度 Chain Width W (mm)	链板厚度 Thickness h1 (mm)	滚轮直径 Dia. of Roller (mm)	滚珠总高度 Roller Height h2 (mm)
N - M83RC	33.5	83	4	20	27
N - H103RC	35.5	103	4.5	35	45.5

传输装置梁(铝型材) *Beams (Aluminum Profile)*

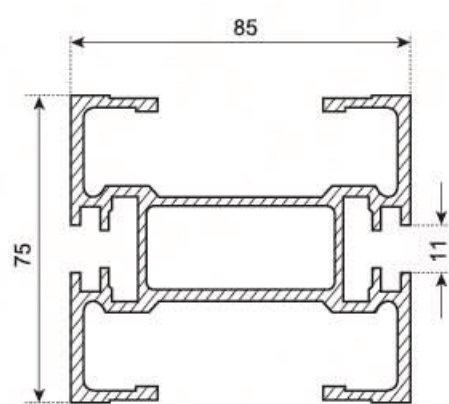
N-S44 传输装置梁
N-S44 Beam



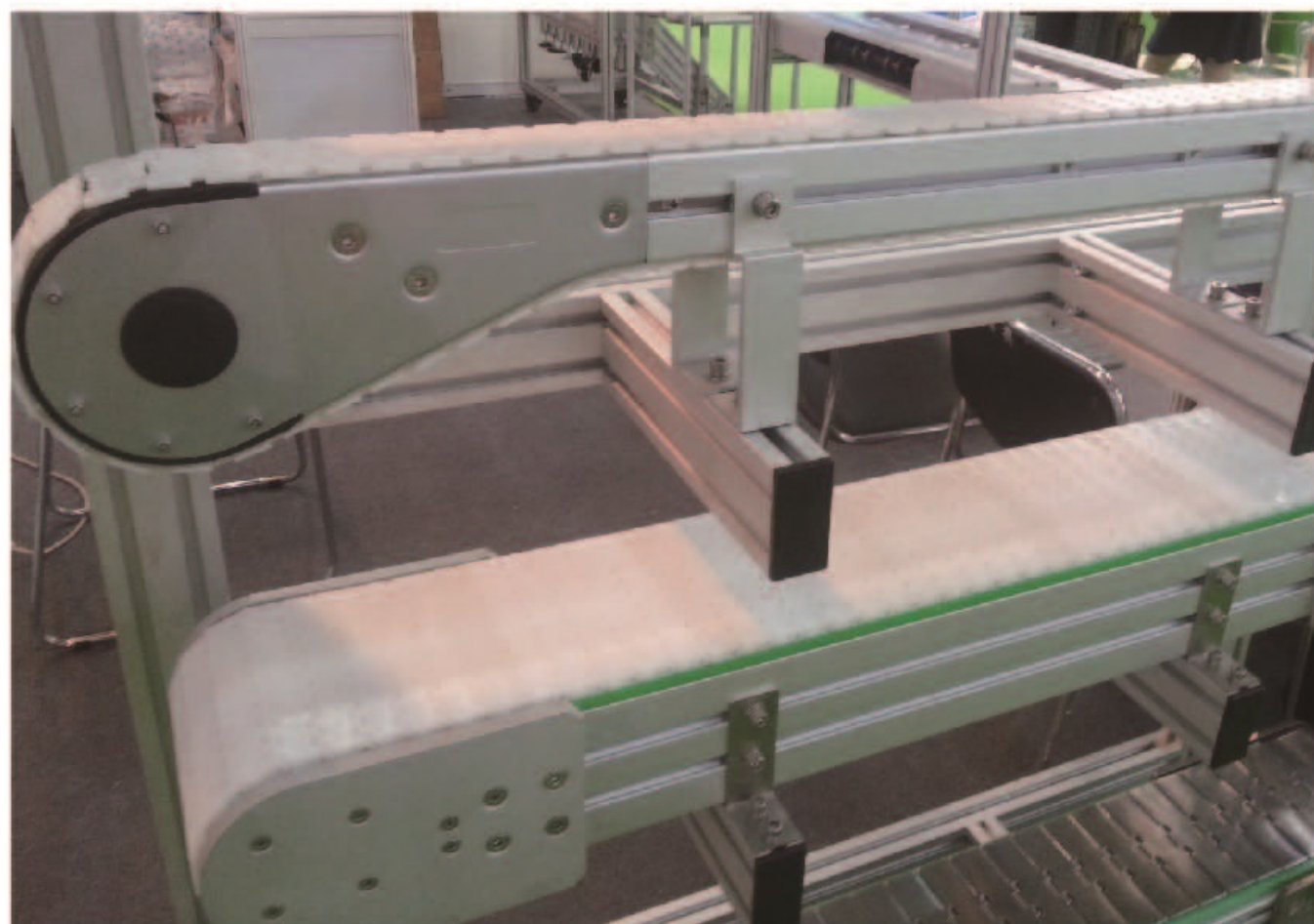
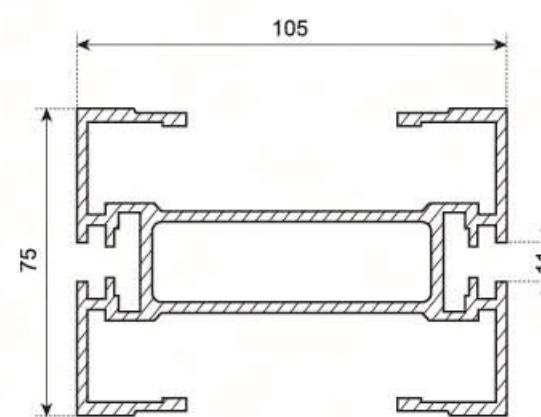
N-L63 传输装置梁
N-L63 Beam



N-M83 传输装置梁
N-M83 Beam

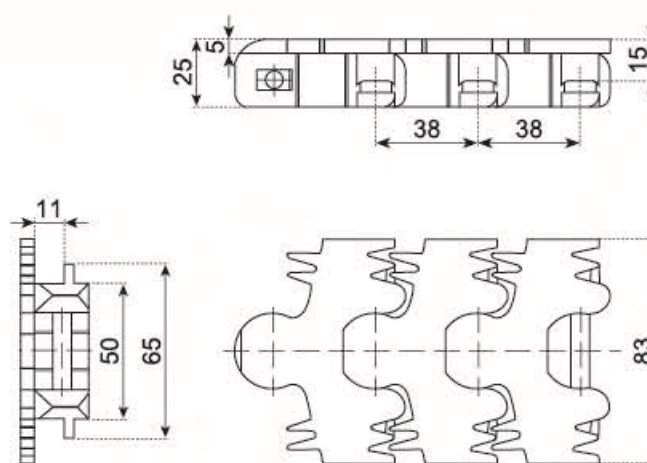


N-H103 传输装置梁
N-H103 Beam

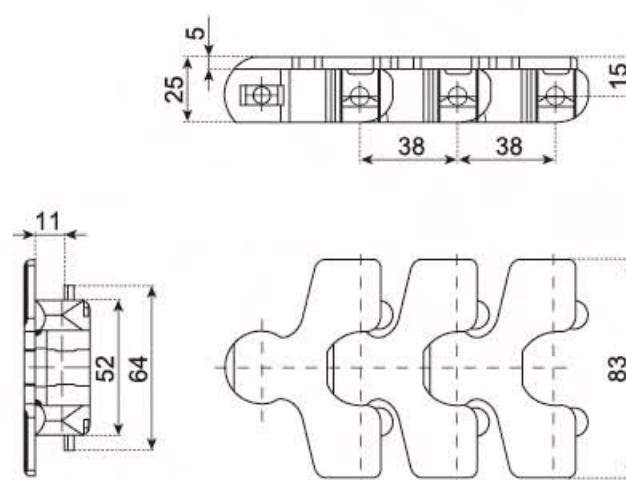


柔性组合链 *Snap-on Flexible Chains*

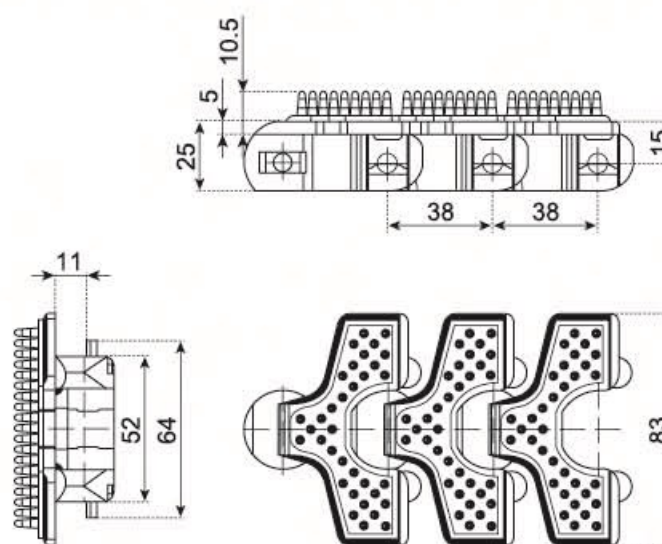
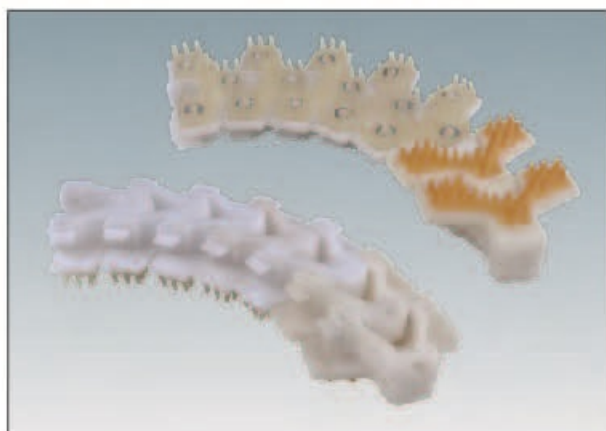
83A 齿形平板链 83A Plain Chains (Fingered)



83B 平板链 83B Plain Chains



83C 弹性楔链 83C Flexible Cleated Chains



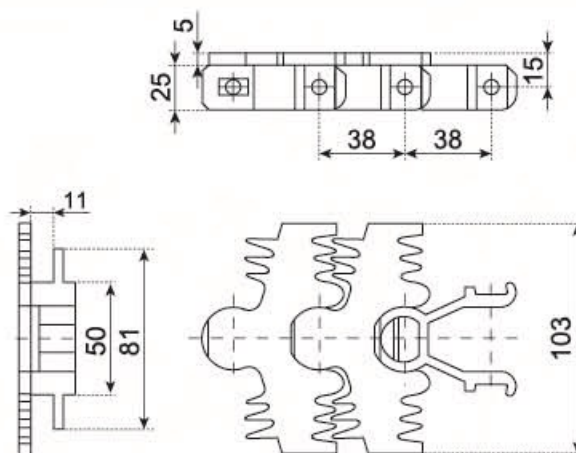
链条编号 Chain Code	节距 Pitch (mm)	链板宽度 Chain Width W (mm)	转弯半径 Sideflex Radius (min.) (mm)	工作载荷 Working Load N (max.)	背弯半径 Backflex Radius (min.) (mm)	重量 Weight (kg/m)
83A	38	83	150	2100	40	1.35
83B	38	83	150	2100	40	1.50
83C	38	83	150	2100	40	2.30

柔性组合链 *Snap-on Flexible Chains*

103A 齿形平板链
103A Plain Chains (Fingered)



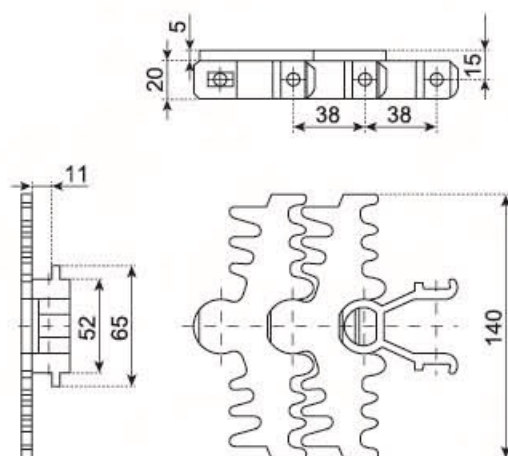
 链轮 Sprocket
Page C16



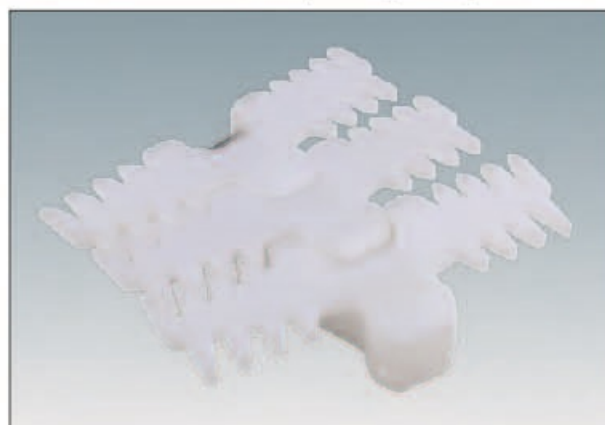
140A3 齿形平板链 (3 齿)
140A3 Plain Chains (3-Fingered)



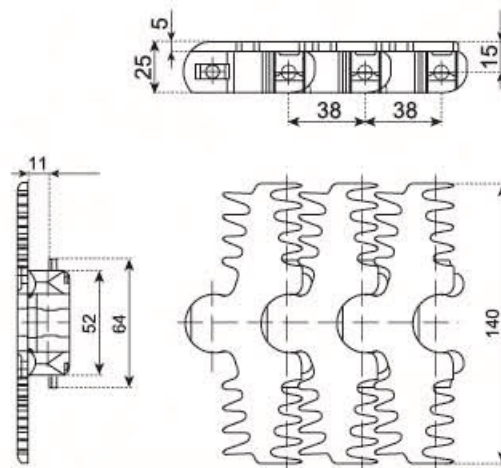
 链轮 Sprocket
Page C16



140A4 齿形平板链 (4 齿)
140A4 Plain Chains (4-Fingered)



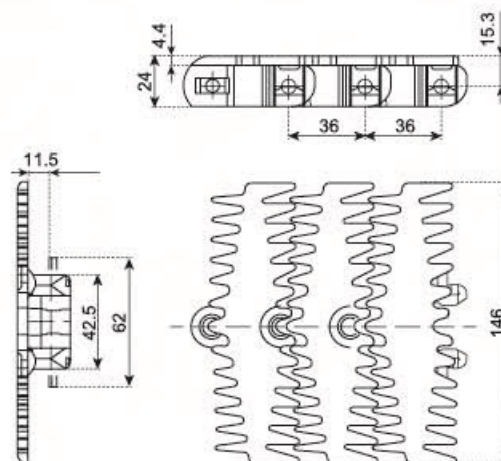
 链轮 Sprocket
Page C16



146A 齿形平板链
146A Plain Chains



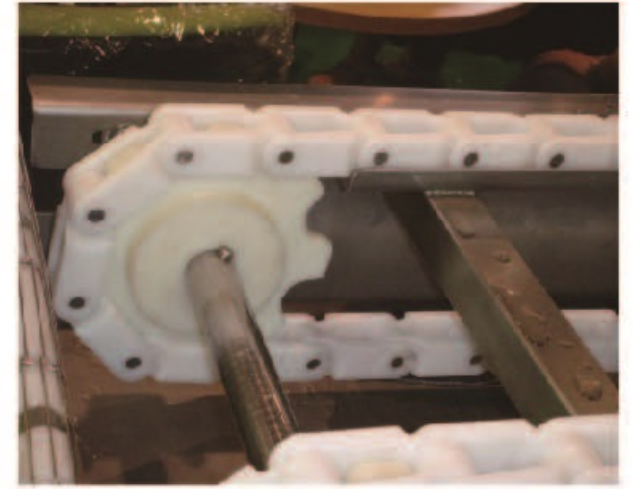
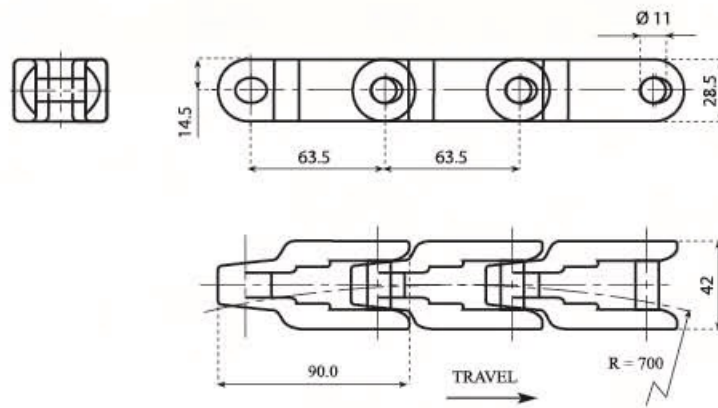
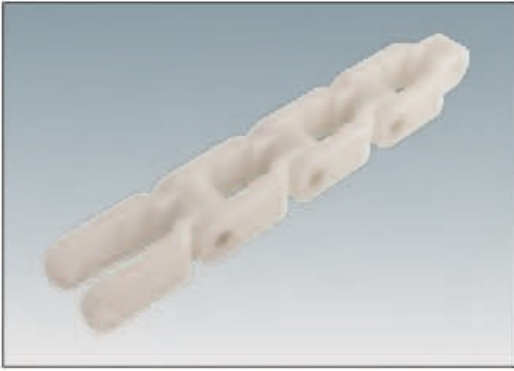
 链轮 Sprocket
Page C16



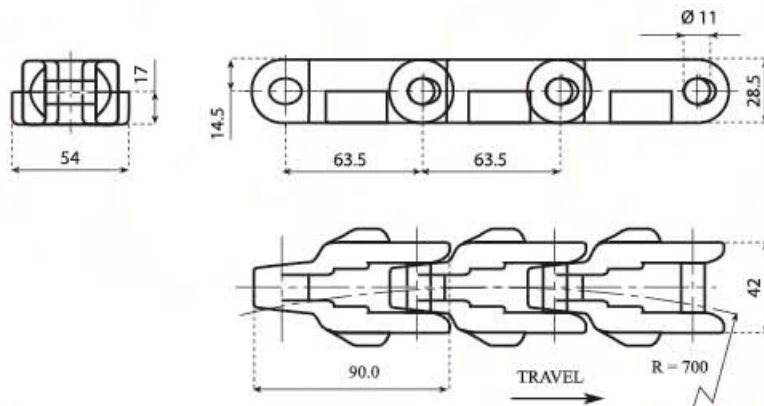
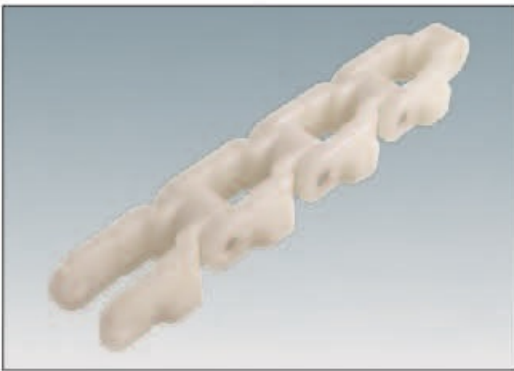
链条编号 Chain Code	节距 Pitch (mm)	链板宽度 Chain Width W (mm)	转弯半径 Sideflex Radius (min.) (mm)	工作载荷 Working Load N (max.)	背弯半径 Backflex Radius (min.) (mm)	重量 Weight (kg/m)
103A	38	103	200	2100	40	1.60
140A3	38	140	200	2100	40	2.10
140A4	38	140	200	2100	40	2.10
146A	36	146	250	2100	38	1.38

箱格链 Case Conveyor Chains

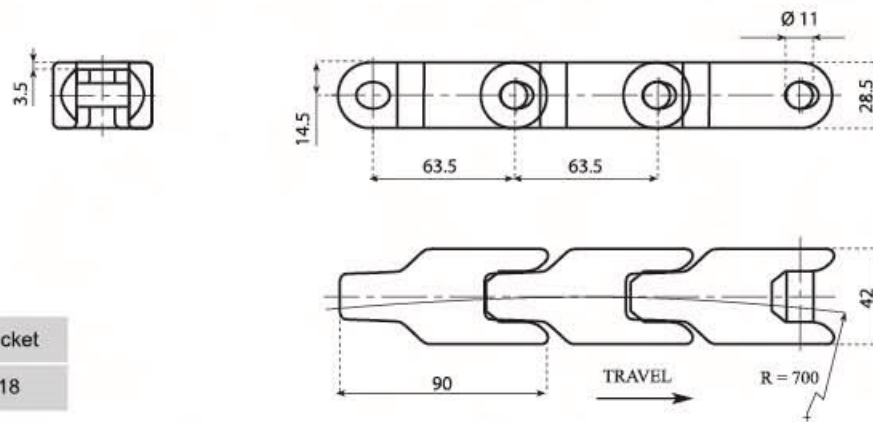
600 箱格链
600 Case Conveyor Chain



600TAB 箱格链
600TAB Case Conveyor Chain

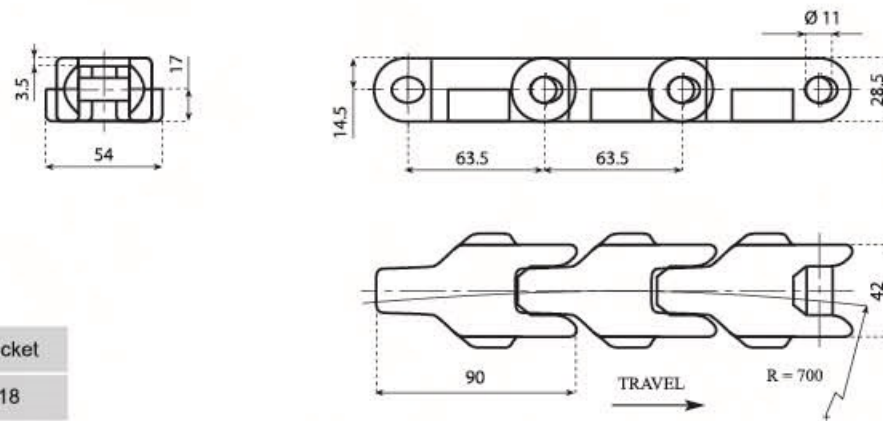


600-C 箱格链
600-C Case Conveyor Chain



 链轮 Sprocket
Page C18

600TAB-C 箱格链
600TAB-C Case Conveyor Chain



 链轮 Sprocket
Page C18

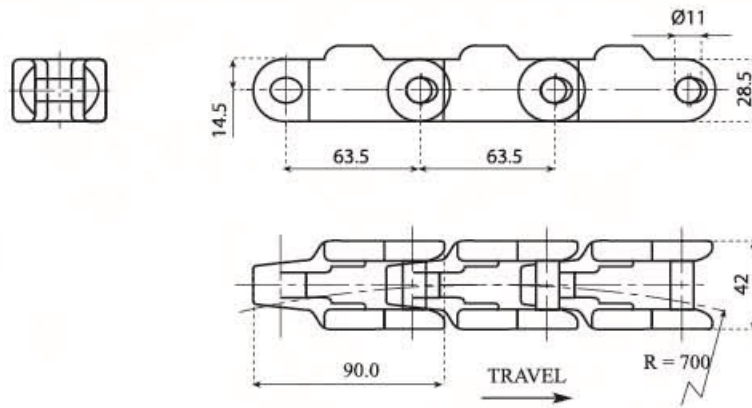
链条编号 Chain Code	节距 Pitch (mm)	链板宽度 Chain Width (mm)	转弯半径 Sideflex Radius (min.) (mm)	工作载荷 Working Load N (max.)	背弯半径 Backflex Radius (min.) (mm)	重量 Weight (kg/m)
600	63.5	42	700	6000	75	1.30
600TAB	63.5	54	700	6000	75	1.38
600 - C	63.5	42	700	6000	75	1.50
600TAB - C	63.5	54	700	6000	75	1.55

箱格链 Case Conveyor Chains

600F 箱格链 600F Case Conveyor Chain



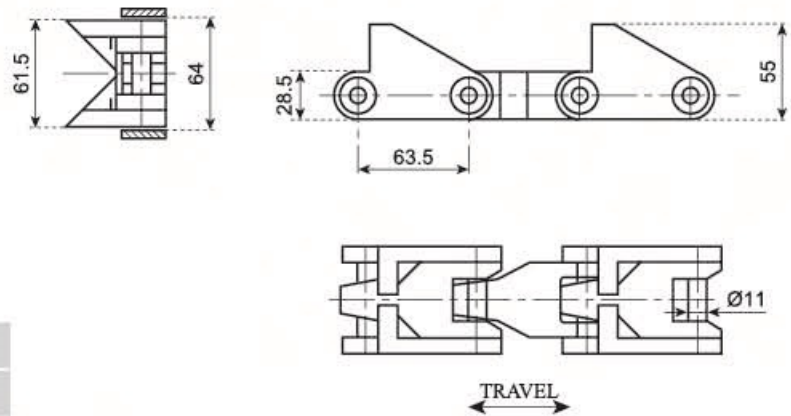
链轮 Sprocket
Page C18



600CV 箱格链 600CV Case Conveyor Chain

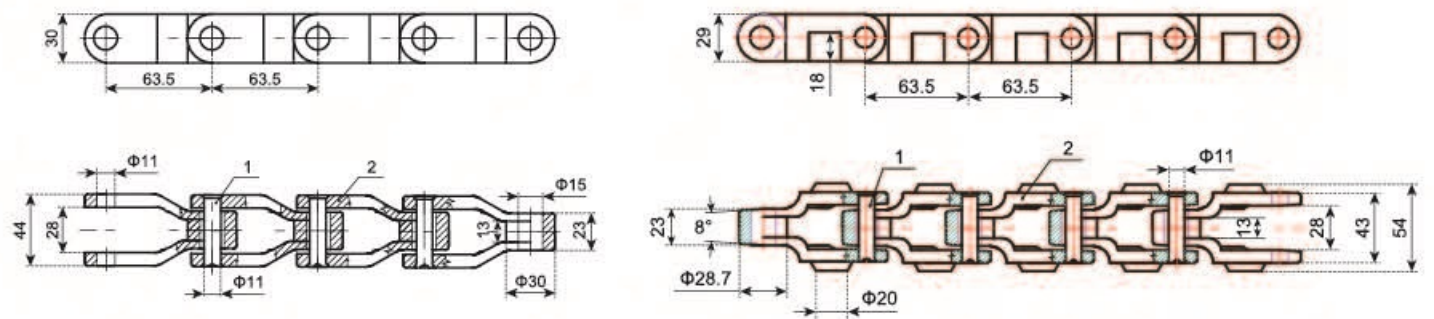
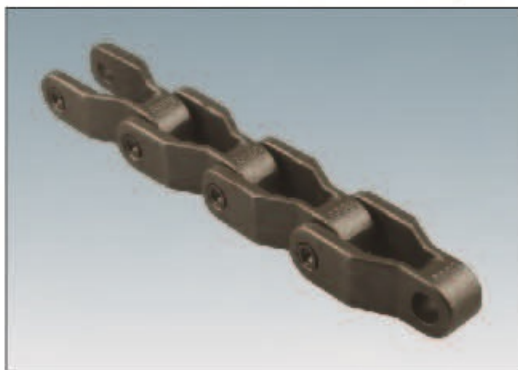


链轮 Sprocket
Page C18



链条编号 Chain Code	节距 Pitch (mm)	链板宽度 Chain Width (mm)	转弯半径 Sideflex Radius (min.) (mm)	工作载荷 Working Load N (max.)	背弯半径 Backflex Radius (min.) (mm)	重量 Weight (kg/m)
600F	63.5	103	200	2100	40	1.60
600CV	63.5	140	200	2100	40	2.10

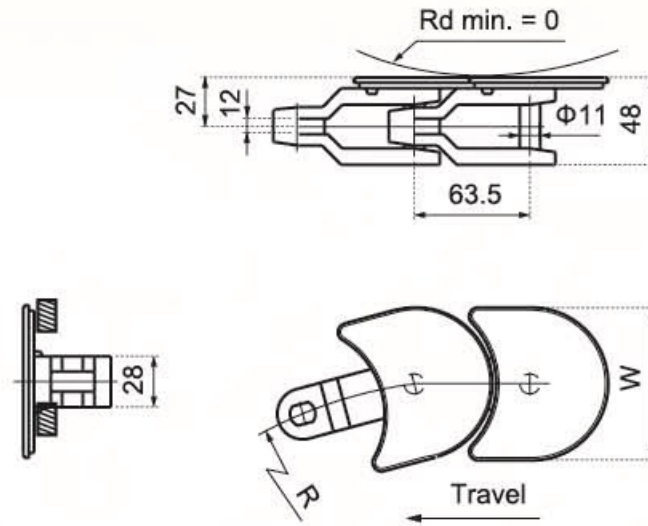
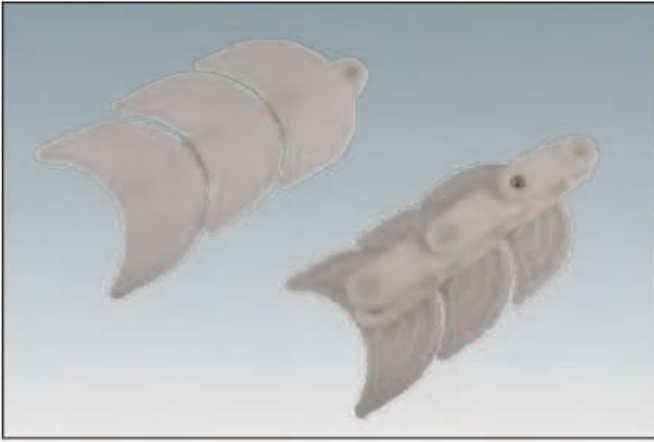
600/600TAB 金属箱格链 600/600TAB Metal Case Conveyor Chain



链条编号 Chain Code	材质 Material	节距 Average Pitch		允许载荷 Allow. Load (max.)		破断载荷 Ultimate tensile Strength		重量 Weight	
		mm	in.	kn	lbs	kn	lbs	kg/m	kg/ft
600CI	铸铁 Cast Iron	63.5	2.5	4.94	1110	40	9000	5.05	1.54
600CS	铸钢 Cast Steel	63.5	2.5	4.94	1110	40	9000	5.05	1.54
600SS	不锈钢 Stainless Steel	63.5	2.5	3.20	720	26	5850	5.55	1.69
600TAB - CI	铸铁 Cast Iron	63.5	2.5	4.94	1110	40	9000	5.30	1.62
600TAB - CS	铸钢 Cast Steel	63.5	2.5	4.94	1110	40	9000	5.30	1.62
600TAB - SS	不锈钢 Stainless Steel	63.5	2.5	3.20	720	26	5850	5.82	1.78

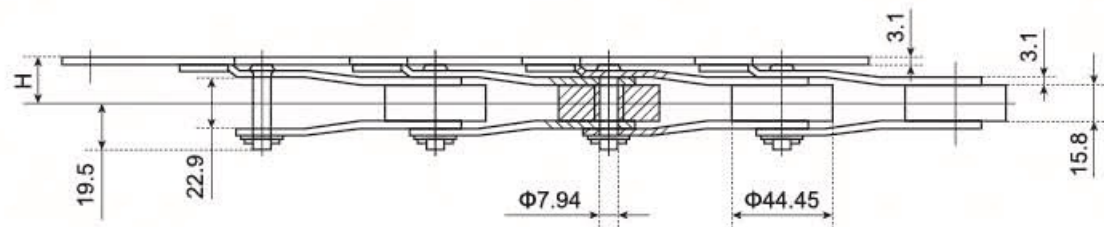
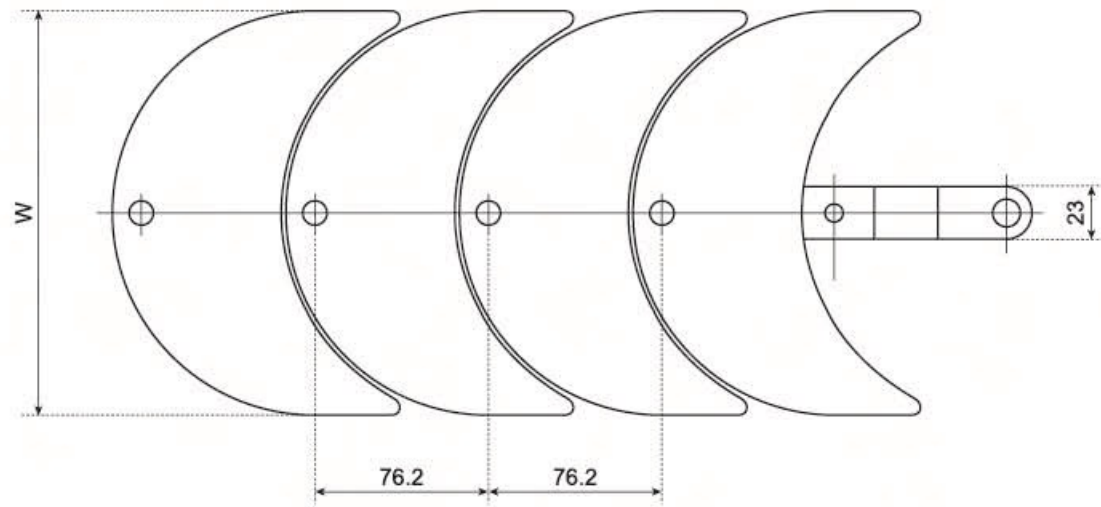
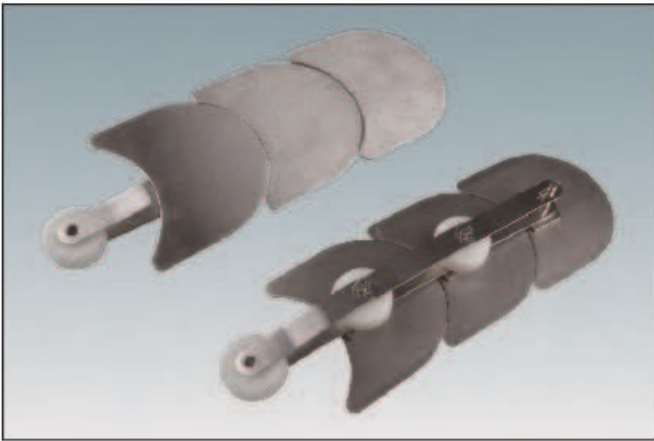
寿司链 Sushi Chains

600 TOP 寿司链 (宽度85/115mm)
600 TOP Sushi Chain (W = 85 / 115mm)



链条编号 Chain Code	节距 Pitch (mm)	链板宽度 Chain Width W (mm)	转弯半径 Sideflex Radius (min.) (mm)	工作载荷 Working Load N (max.)	重量 Weight (kg/m)
600TOP - 85	63.5	85	83	3950	1.76
600TOP - 115	63.5	115	83	3950	2.15

不锈钢寿司链
Stainless Steel Sushi Chain



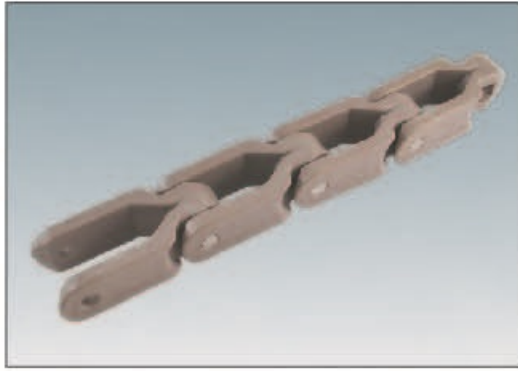
链条编号 Chain Code	节距 Pitch (mm)	链板宽度 Chain Width W (mm)	高度 Height H (mm)
Sushi - 82.6	76.2	82.6	17.9
Sushi - 101.6	76.2	101.6	17.9
Sushi - 114.3	76.2	114.3	17.9
Sushi - 177.8	76.2	177.8	21.1

特殊尺寸可按客户要求定制。
Special Chains Can be Produced According to Customer's Requirements.

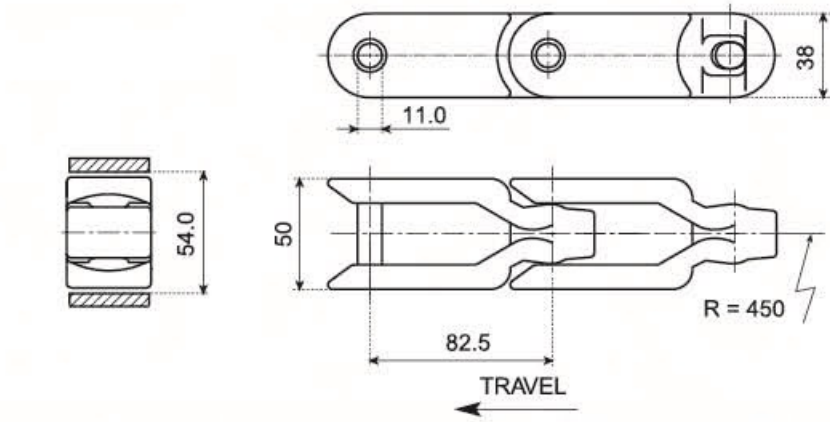
可提供配套的金属链轮。
Steel / Stainless Steel Sprockets Can be Supplied Upon Request.

箱格链 Case Conveyor Chains

1400 箱格链
1400 Case Conveyor Chain



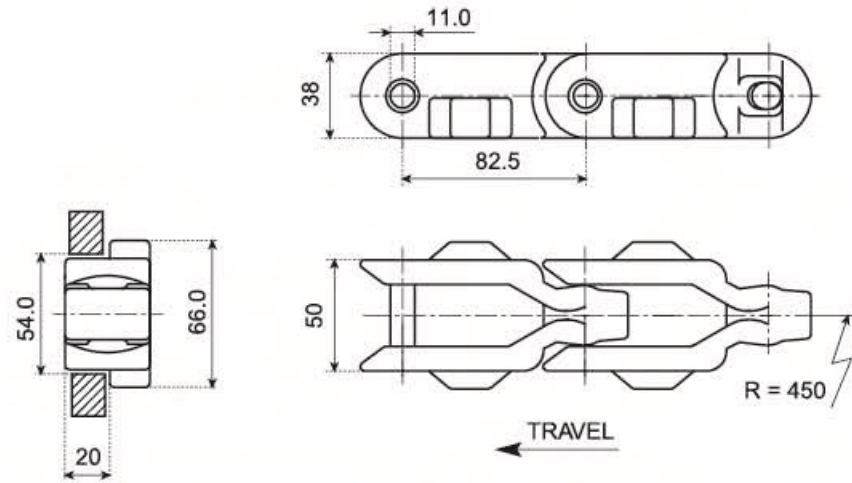
链轮 Sprocket
Page C18



1400TAB 箱格链
1400TAB Case Conveyor Chain

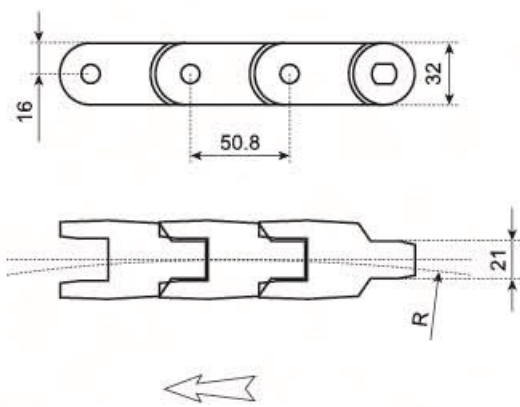


链轮 Sprocket
Page C18

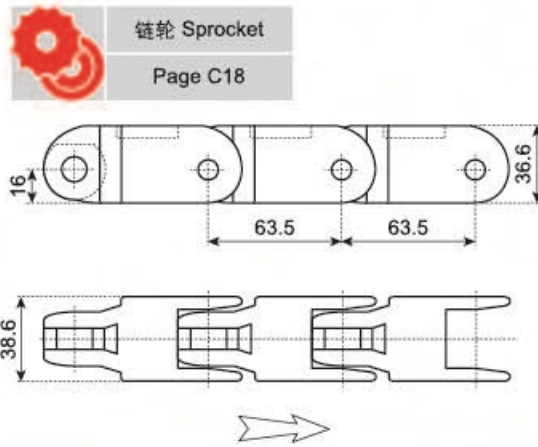
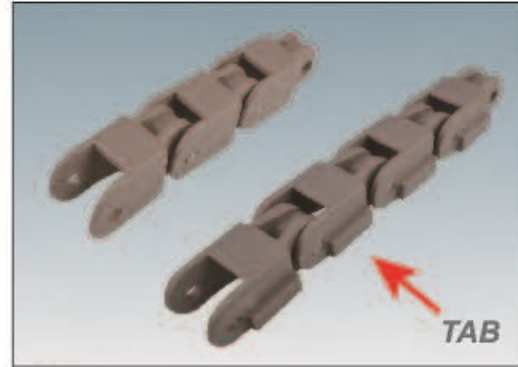


链条编号 Chain Code	节距 Pitch (mm)	链板宽度 Chain Width (mm)	转弯半径 Sideflex Radius (min.) (mm)	工作载荷 Working Load N (max.)	背弯半径 Backflex Radius (min.) (mm)	重量 Weight (kg/m)
1400	82.5	50	450	6500	75	2.10
1400TAB	82.5	50	450	6500	75	2.30

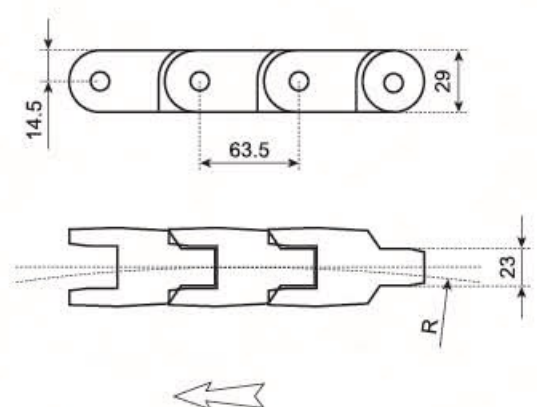
N230 箱格链
N230 Case Conveyor Chain



N250/N250TAB 箱格链
N250/N250TAB Case Conveyor Chain



N260 箱格链
N260 Case Conveyor Chain



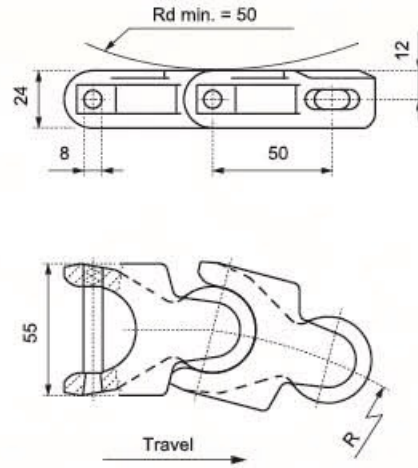
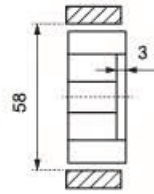
链条编号 Chain Code	节距 Pitch (mm)	链板宽度 Chain Width (mm)	转弯半径 Sideflex Radius (min.) (mm)	工作载荷 Working Load N (max.)	背弯半径 Backflex Radius (min.) (mm)	重量 Weight (kg/m)
N230	50.8	40	500	3250	75	1.72
N250	63.5	40	500	3500	75	1.33
N250TAB	63.5	40	500	3500	75	1.54
N260	63.5	45	610	3500	75	1.93

龙骨链 *Multiflex Chains*

1700 龙骨链
1700 Multiflex Chain



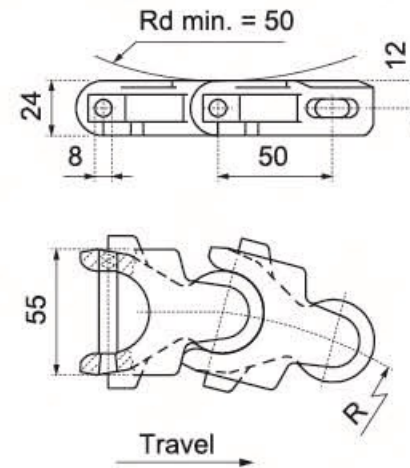
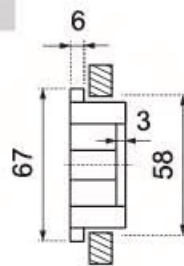
 链轮 Sprocket
Page C19



1700TAB 龙骨链
1700TAB Multiflex Chain



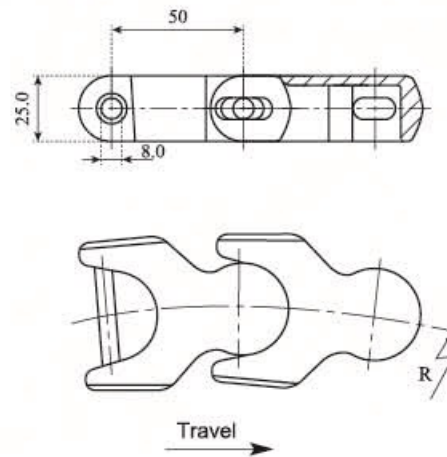
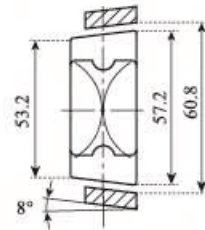
 链轮 Sprocket
Page C19



1701 龙骨链
1701 Multiflex Chain



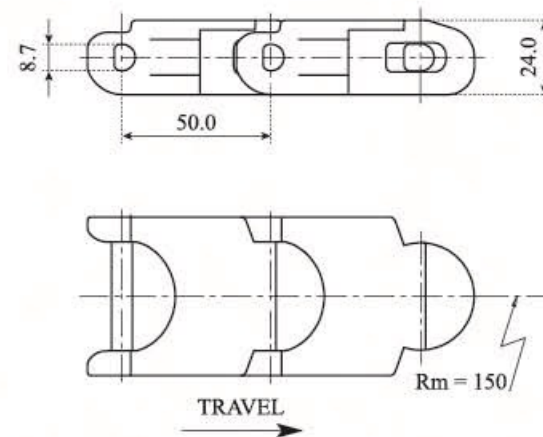
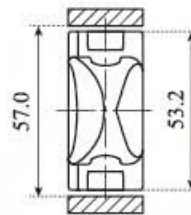
 链轮 Sprocket
Page C19



1706 龙骨链
1706 Multiflex Chain



 链轮 Sprocket
Page C19



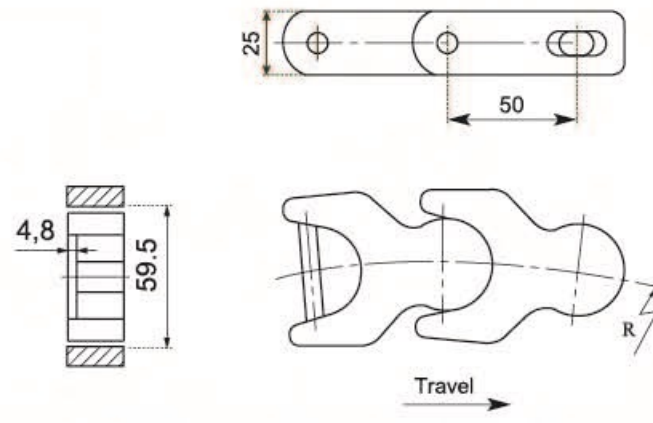
链条编号 Chain Code	节距 Pitch (mm)	链板宽度 Chain Width (mm)	转弯半径 Sideflex Radius (min.) (mm)	工作载荷 Working Load N (max.)	背弯半径 Backflex Radius (min.) (mm)	重量 Weight (kg/m)
1700	50	55	150	2500	50	1.11
1700TAB	50	55	150	2500	50	1.20
1701	50	55	150	2500	50	1.35
1706	50	53.2	150	2500	50	1.40

龙骨链 *Multiflex Chains*

1702 龙骨链
1702 Multiflex Chain



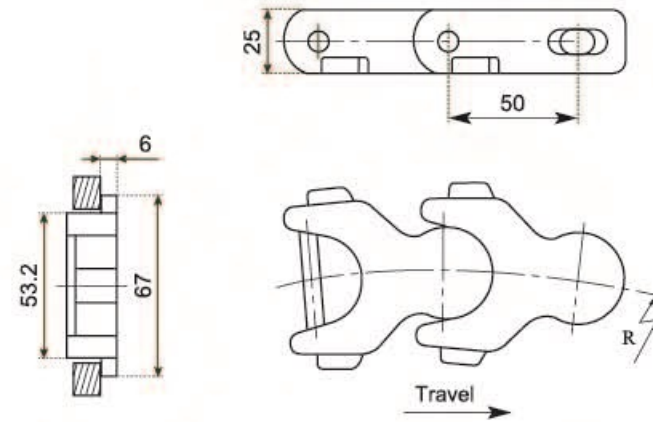
 链轮 Sprocket
Page C19



1702TAB 龙骨链
1702TAB Multiflex Chain



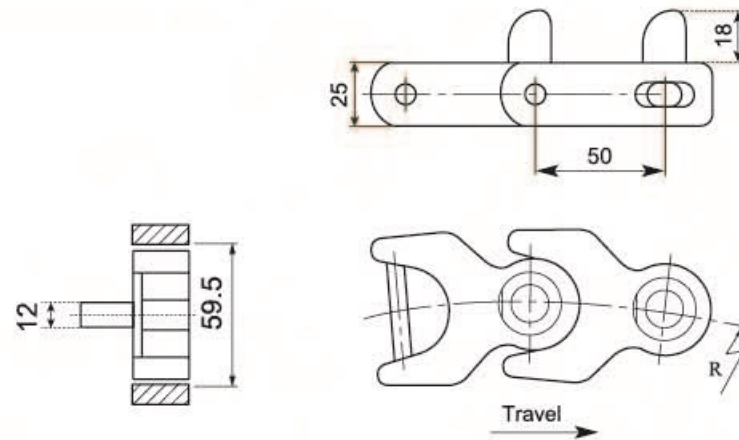
 链轮 Sprocket
Page C19



1702M 龙骨链
1702M Multiflex Chain



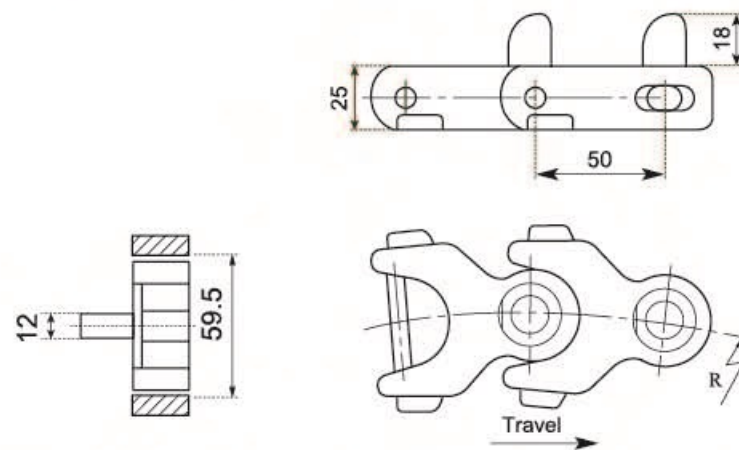
 链轮 Sprocket
Page C19



1702TAB-M 龙骨链
1702TAB-M Multiflex Chain



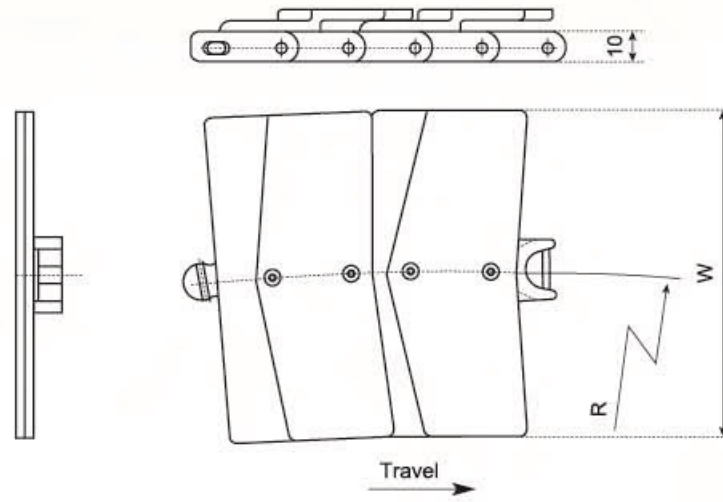
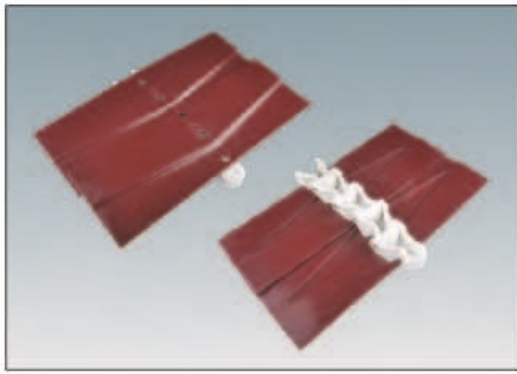
 链轮 Sprocket
Page C19



链条编号 Chin Code	节距 PITCH (mm)	链板宽度 Chain Width (mm)	转弯半径 Sideflex Radius (min.) (mm)	工作载荷 Working Load N (max.)	背弯半径 Backflex Radius (min.) (mm)	重量 Weight (kg/m)
1702	50	53.2	150	2500	50	1.27
1702TAB	50	53.2	150	2500	50	1.32
1702M	50	53.2	150	2500	50	1.45
1702TAB-M	50	53.2	150	2500	50	1.50

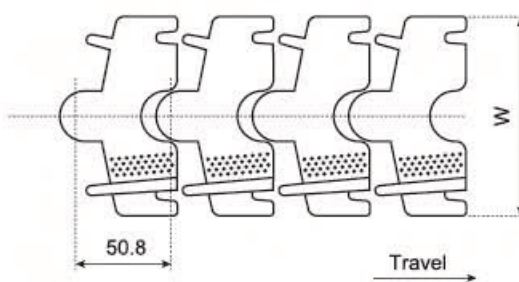
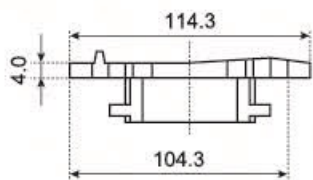
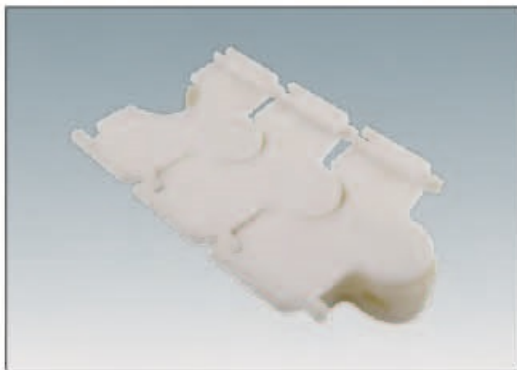
龙骨链 *Multiflex Chains*

1713 龙骨链
1713 Multiflex Chain



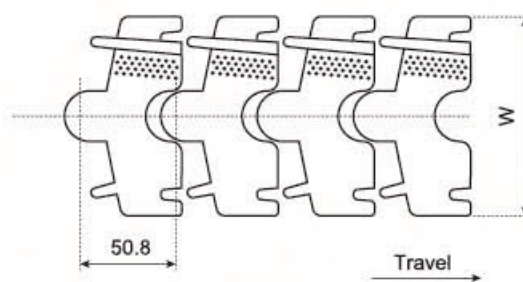
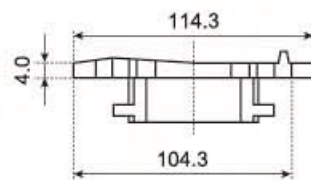
链条编号 Chain Code	节距 Pitch (mm)	链板宽度 Chain Width W (mm)	转弯半径 Sideflex Radius (min.) (mm)	工作载荷 Working Load N (max.)	重量 Weight (kg/m)
1713 - K1000	50	254	500	4500	2.60
1713 - K1200	50	304.8	500	4500	2.80
1713 - K1575	50	401	500	4500	3.10

1723TAB - L 龙骨链
1723TAB - L Multiflex Chain



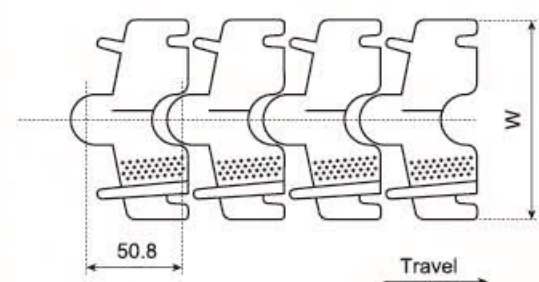
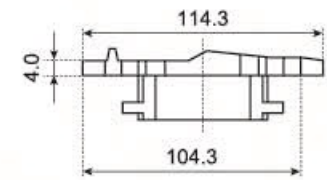
1723TAB - L

1723TAB - R 龙骨链
1723TAB - R Multiflex Chain



1723TAB - R

1723TAB - M 龙骨链
1723TAB - M Multiflex Chain



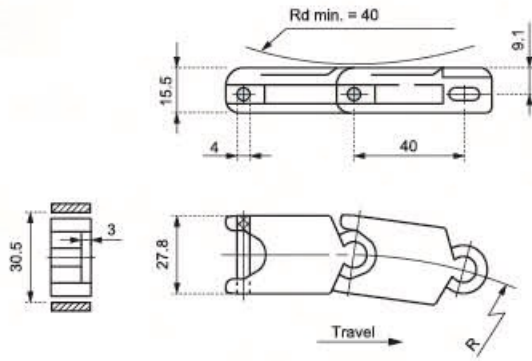
1723TAB - M

链条编号 Chain Code	节距 Pitch (mm)	链板宽度 Chain Width W (mm)	转弯半径 Sideflex Radius (min.) (mm)	工作载荷 Working Load N (max.)	重量 Weight (kg/m)
1723TAB - L	50.8	114	140	7000	2.26
1723TAB - R	50.8	114	140	7000	2.26
1723TAB - M	50.8	114	140	7000	2.26

龙骨链 Multiflex Chains

MULTIFLEX CHAINS

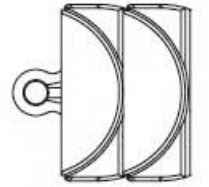
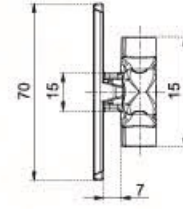
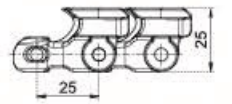
1755 龙骨链
1755 Multiflex Chain



1775 龙骨链
1775 Multiflex Chain



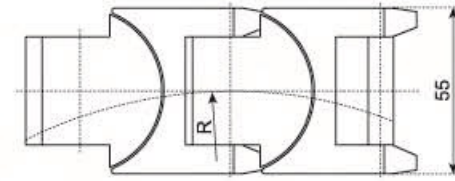
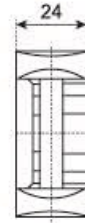
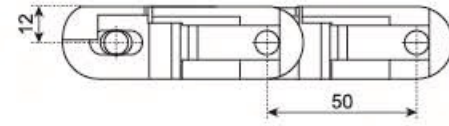
链轮 Sprocket
Page C19



1765 龙骨链
1765 Multiflex Chain



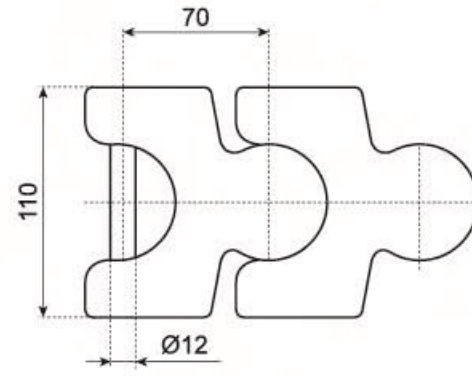
链轮 Sprocket
Page C19



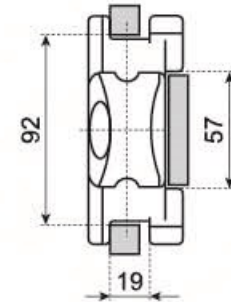
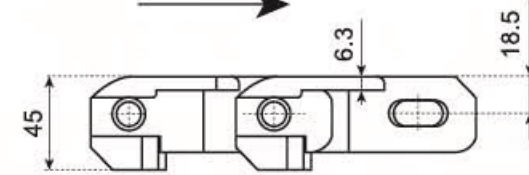
2700 龙骨链
2700 Multiflex Chain



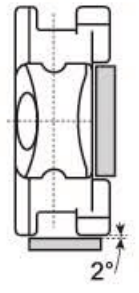
链轮 Sprocket
Page C19



TRAVEL →

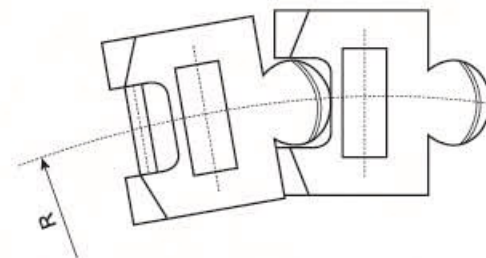
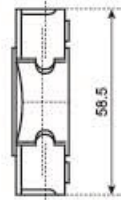
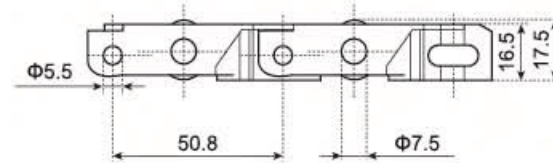


Straight



Curve

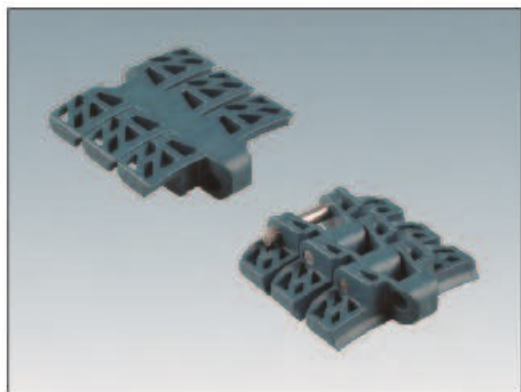
9350 输送链
9350 Conveyor Chain



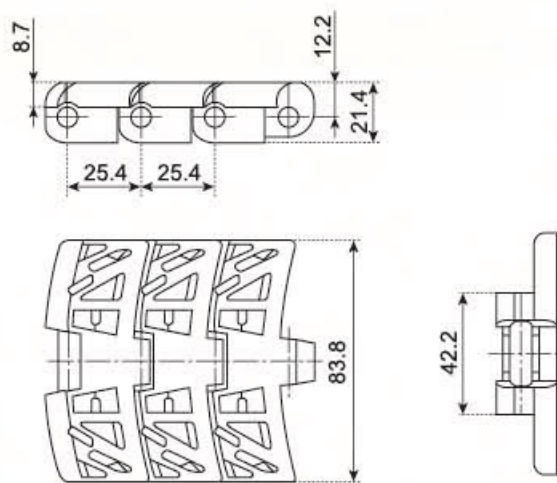
链条编号 Chain Code	节距 Pitch (mm)	链板宽度 Chain Width (mm)	转弯半径 Sideflex Radius (min.) (mm)	工作载荷 Working Load N (max.)	重量 Weight (kg/m)
1755	40	27.8	150	1500	0.33
1765	50	55	125	2670	1.55
1775	25	70	150	1000	1.05
2700	70	110	250	11000	4.36
9350	50.8	58.5	200	6000	1.38

特殊链 Special Chains

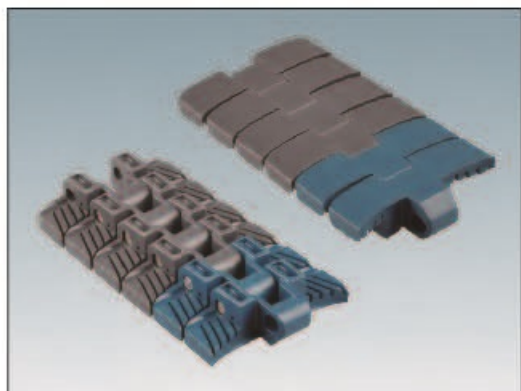
1050 平格型磁性转弯链
1050 Flush Grid Magnetflex Chain



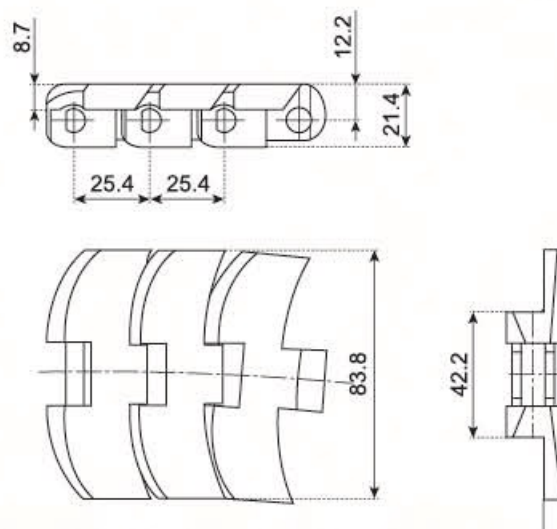
 链轮 Sprocket
Page C20



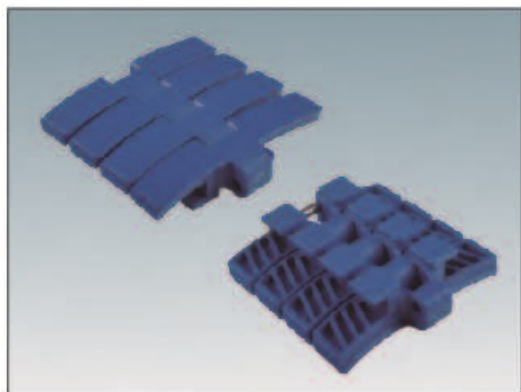
1060 平板型磁性转弯链
1060 Flat Top Magnetflex Chain



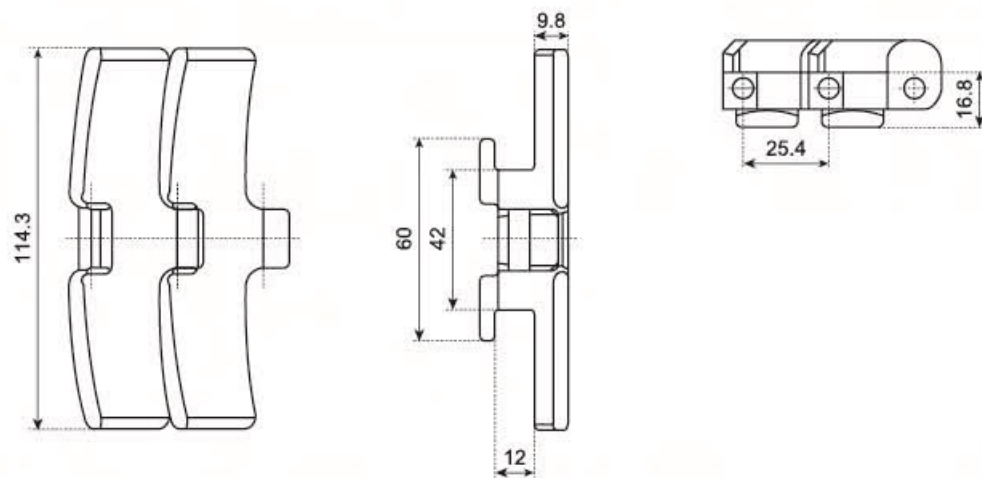
 链轮 Sprocket
Page C20



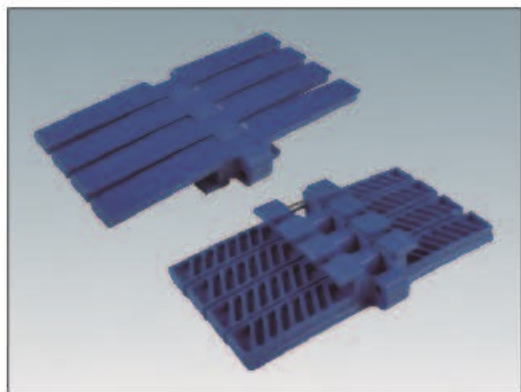
S4090A 平板型转弯链
S4090A Flat Top Sideflexing Chain



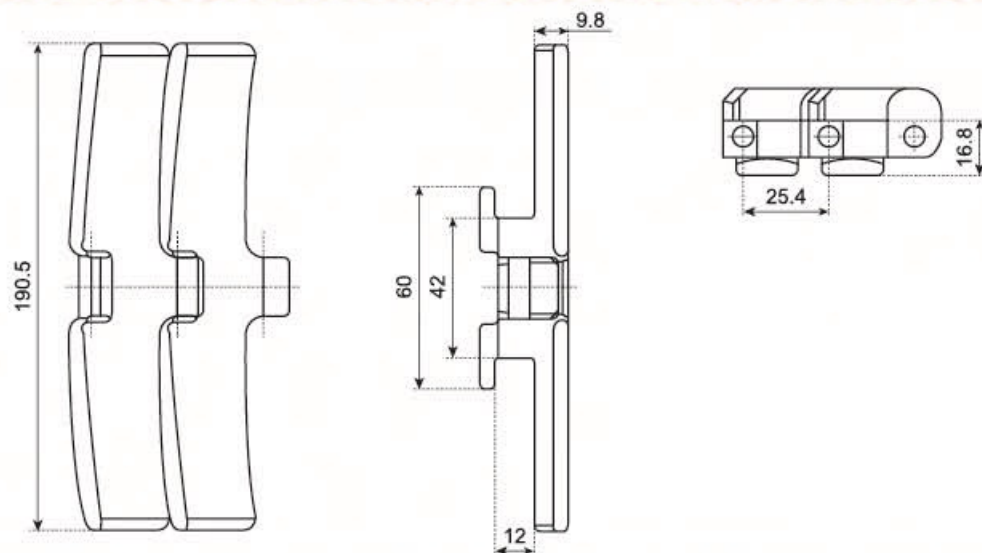
 链轮 Sprocket
Page C20



S4090B 平板型转弯链
S4090B Flat Top Sideflexing Chain



 链轮 Sprocket
Page C20



链条编号 Chain Code	节距 Pitch (mm)	链板宽度 Chain Width (mm)	转弯半径 Sideflex Radius (min.) (mm)	工作载荷 Working Load N (max.)	背弯半径 Backflex Radius (min.) (mm)	重量 Weight (kg/m)
1050	25.4	83.8	500	1650	130	1.54
1060	25.4	83.8	500	1850	130	1.68
S4090A	25.4	114.3	450	2200	50	2.08
S4090B	25.4	190.5	450	2500	50	2.52

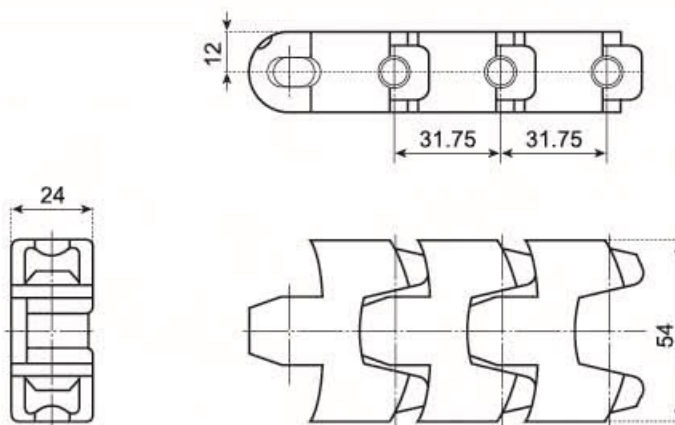
特殊链 Special Chains

SPECIAL CHAINS

F54 利乐输送链
F54 Conveyor Chain



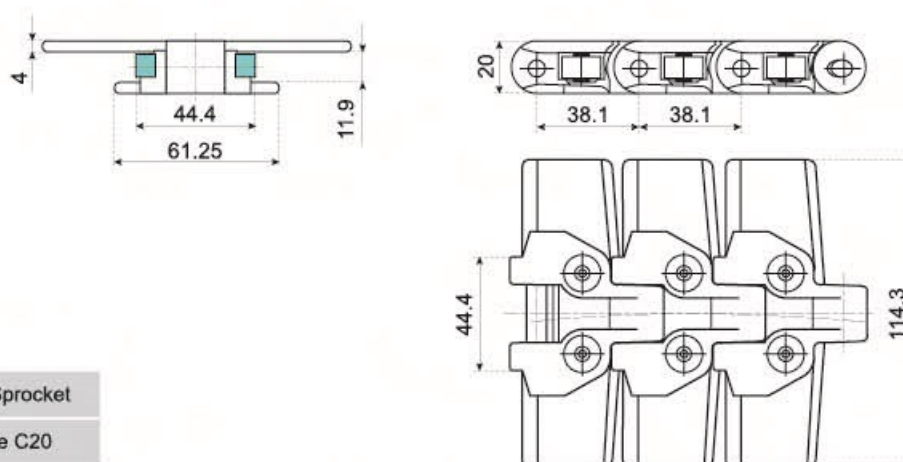
 链轮 Sprocket
Page C20



RT114 利乐输送链
RT114 Conveyor Chain



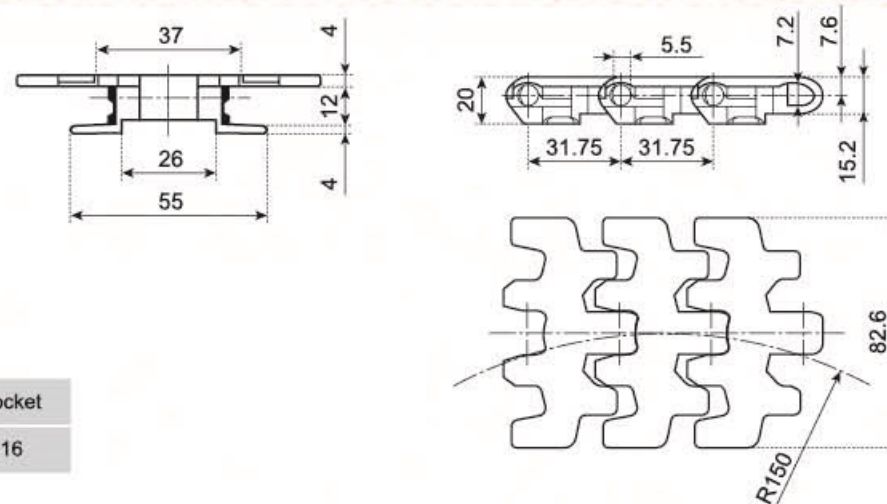
 链轮 Sprocket
Page C20



N826-R150 输送链
N826-R150 Conveyor Chain



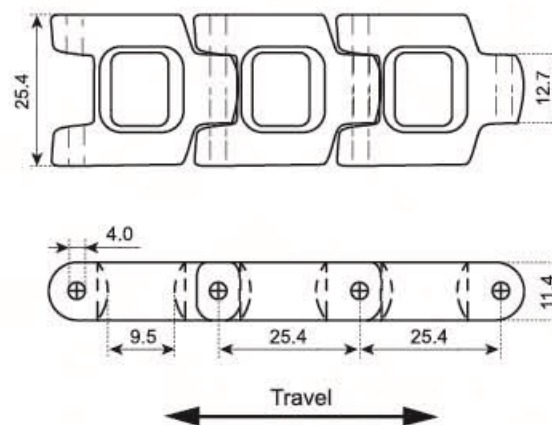
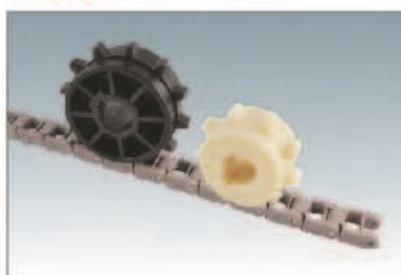
 链轮 Sprocket
Page C16



NP11000 输送链
NP11000 Conveyor Chain



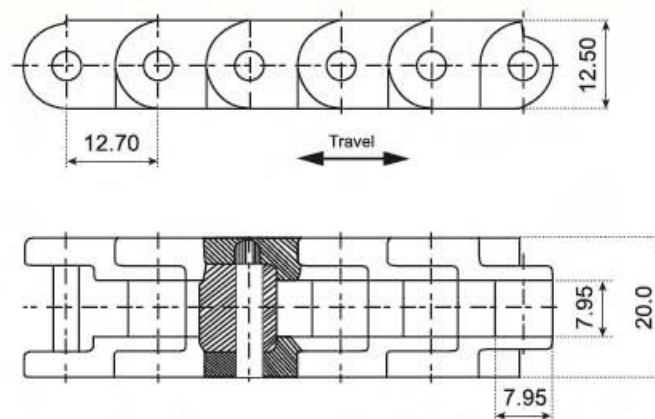
 链轮 Sprocket
Page C18



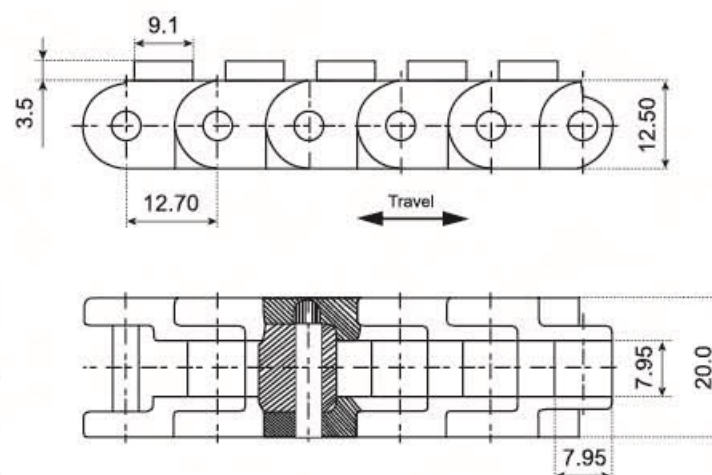
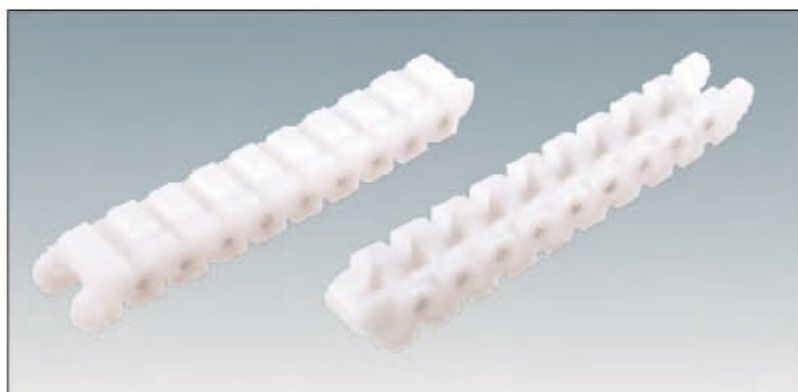
链条编号 Chain Code	节距 Pitch (mm)	链板宽度 Chain Width (mm)	转弯半径 Sideflex Radius (min.) (mm)	工作载荷 Working Load N (max.)	背弯半径 Backflex Radius (min.) (mm)	重量 Weight (kg/m)
F54	31.57	54	150	2000	50	1.80
RT114	38.1	114.3	610	2000	50	1.60
N826-R150	31.75	82.6	150	2250	75	0.90
NP11000	25.4	25.4	—	1500	—	0.21

特殊链 Special Chains

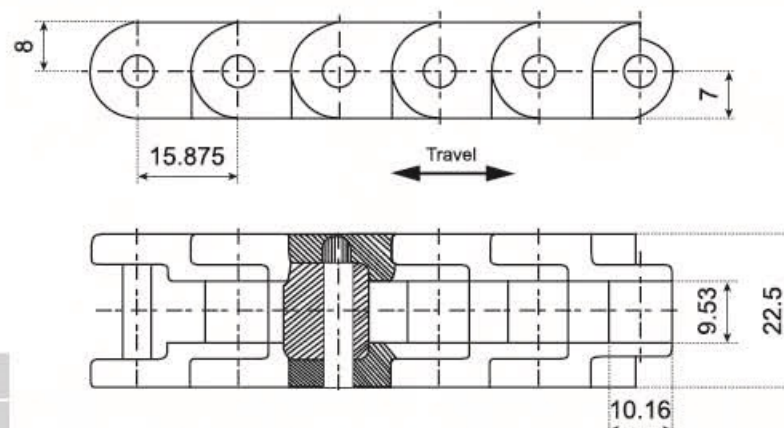
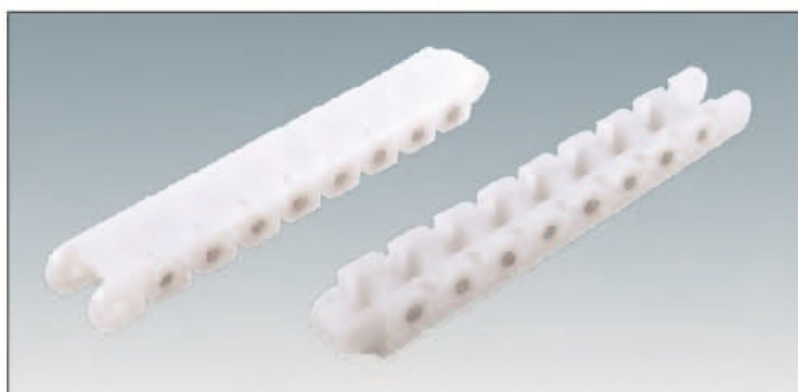
NP40 传输链
NP40 Plastic Chain



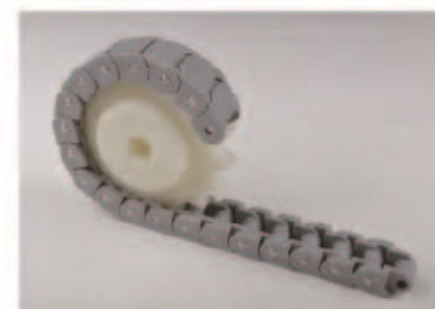
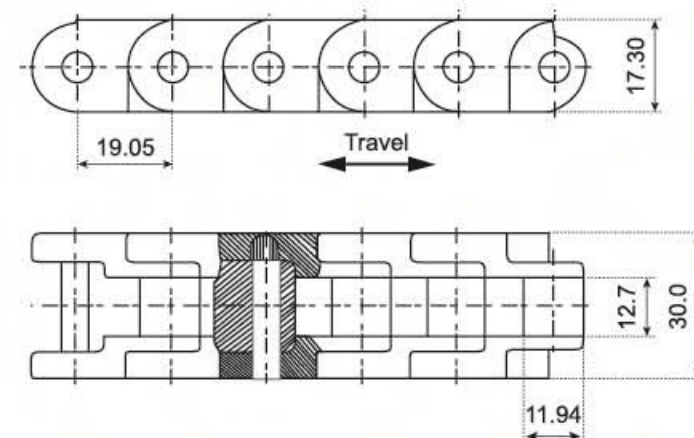
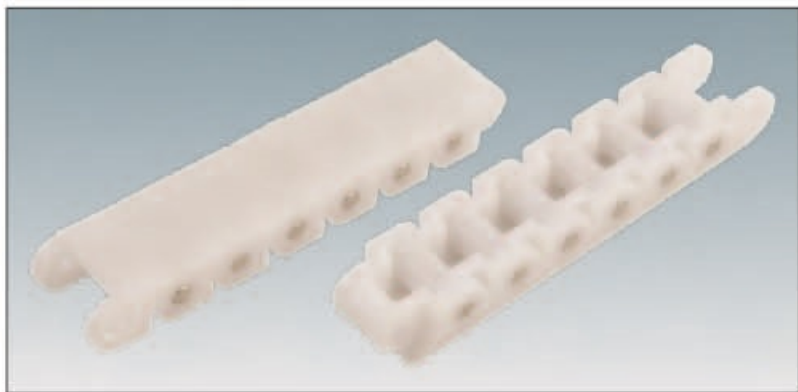
NP40S 传输链
NP40S Plastic Chain



NP50 传输链
NP50 Plastic Chain



NP60 传输链
NP60 Plastic Chain



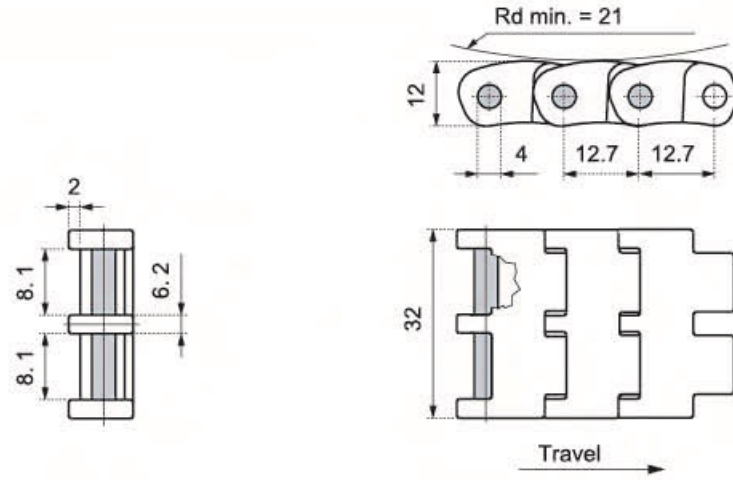
链条编号 Chain Code	节距 Pitch (mm)	链板宽度 Chain Width (mm)	工作载荷 Working Load N (max.)	背弯半径 Backflex Radius (min.) (mm)	重量 Weight (kg/m)
NP40	12.7	20	490	125	0.40
NP40S	12.7	20	490	125	0.43
NP50	15.875	22.5	640	155	0.60
NP60	19.05	30	830	180	0.80



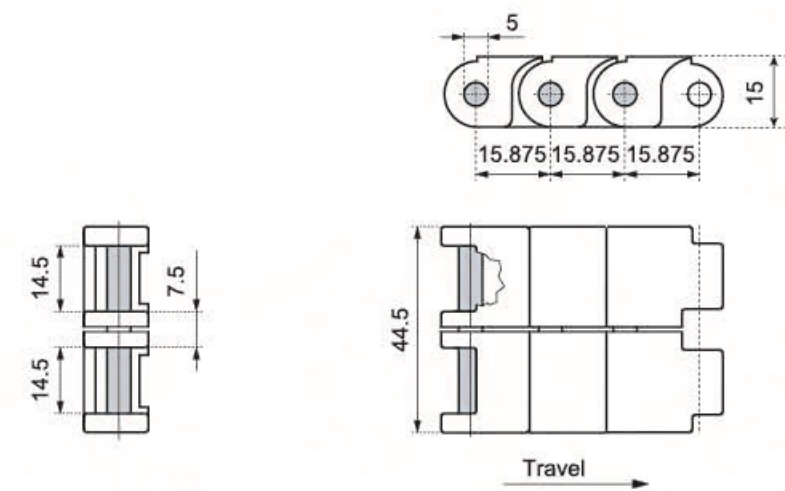
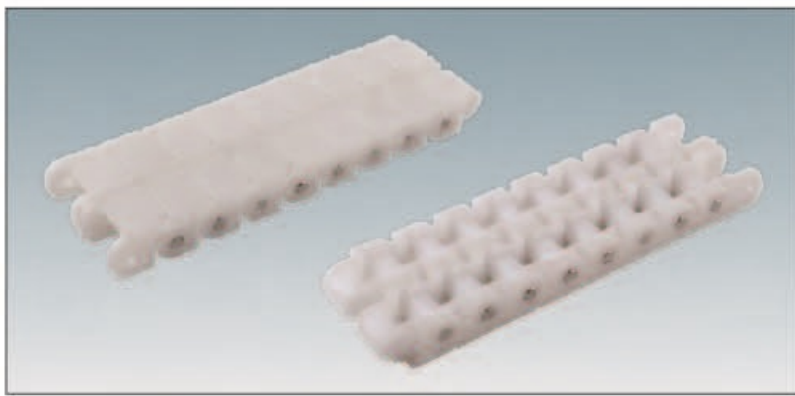
特殊链 Special Chains

SPECIAL CHAINS

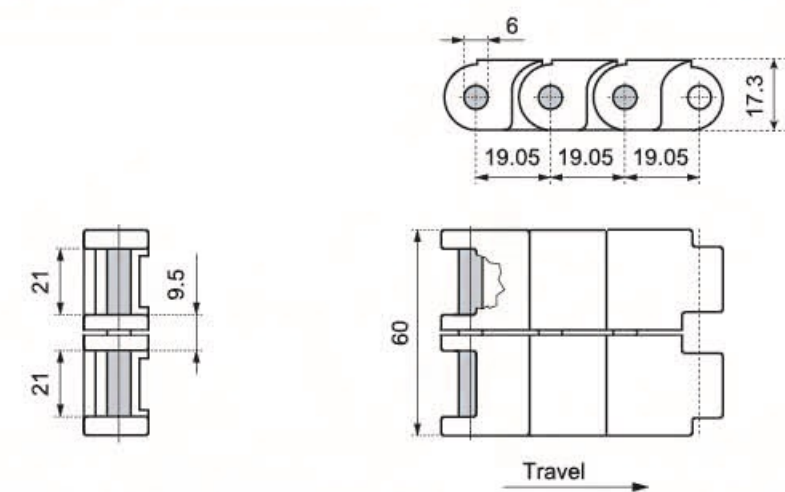
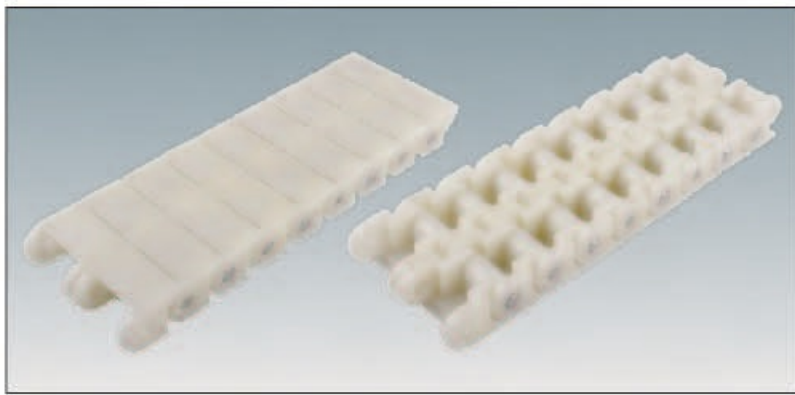
NP40-2 联轴器链
NP40-2 Coupling Chain



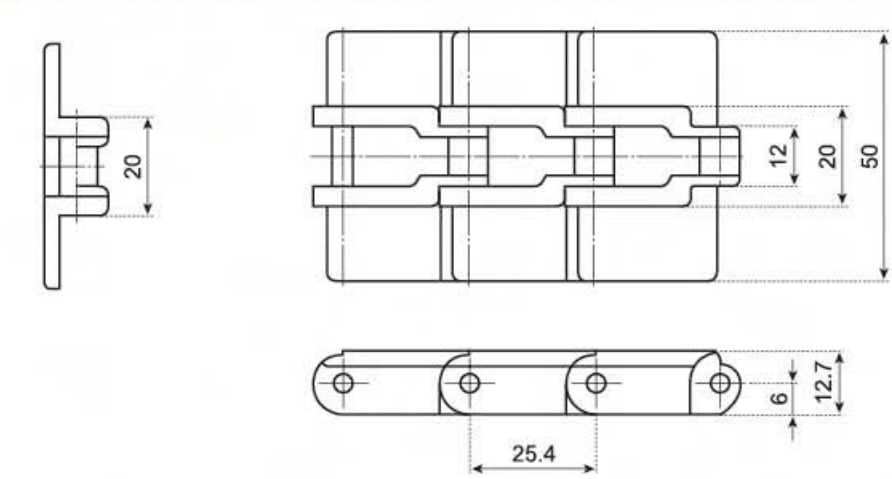
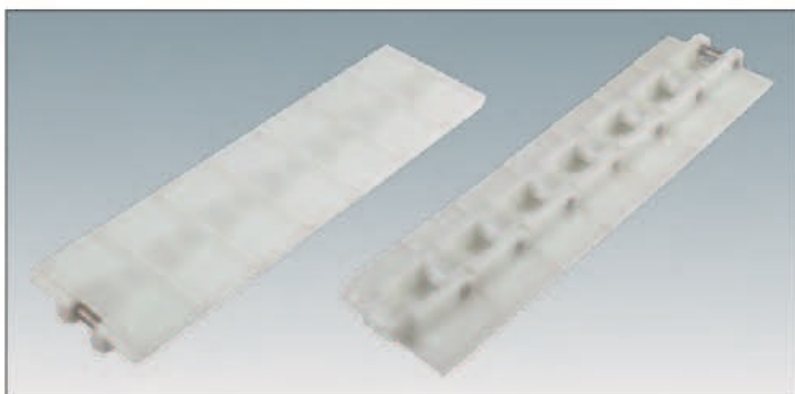
NP50-2 联轴器链
NP50-2 Coupling Chain



NP60-2 联轴器链
NP60-2 Coupling Chain



NP2040 传输链
NP2040 Plastic Chain

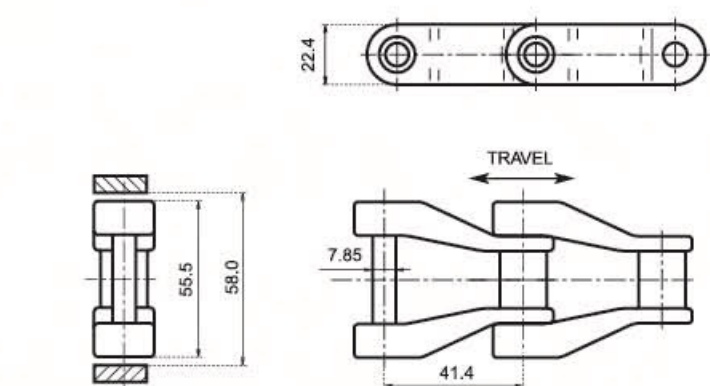


链条编号 Chain Code	节距 Pitch (mm)	链板宽度 Chain Width (mm)	工作载荷 Working Load N (max.)	背弯半径 Backflex Radius (min.) (mm)	重量 Weight (kg/m)
NP40-2	12.7	32	490	125	0.78
NP50-2	15.875	44.5	640	155	0.95
NP60-2	19.05	60	830	180	1.60
NP2040	25.4	50	440	50	0.42



特殊链 Special Chains

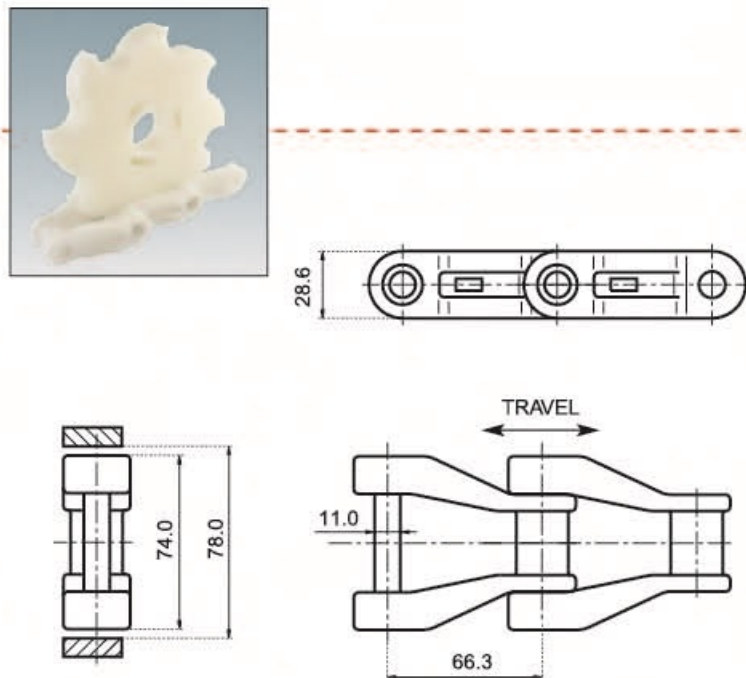
NH45 传动链
NH45 Drive Chain



可以按客户要求配加长销。
Extended Pins are Available.



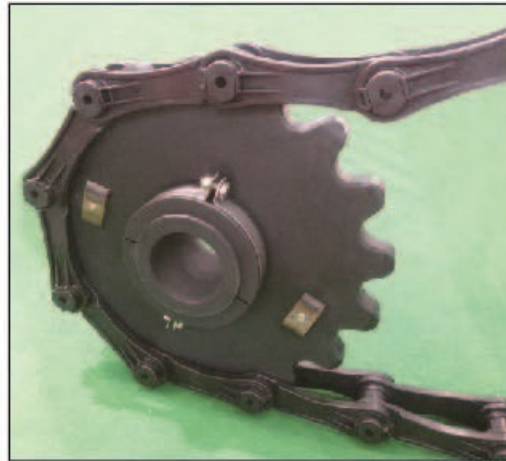
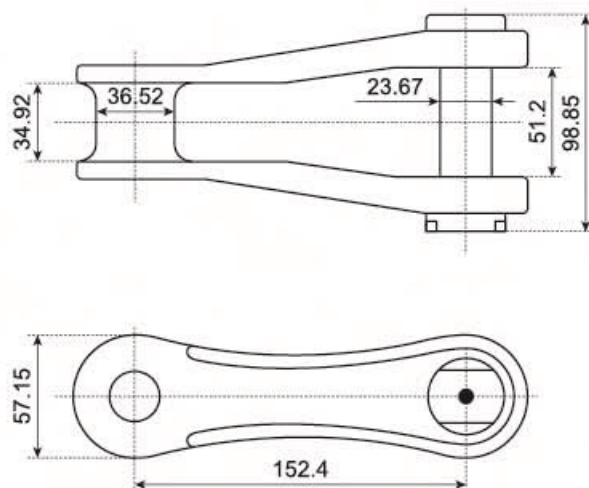
NH78 传动链
NH78 Drive Chain



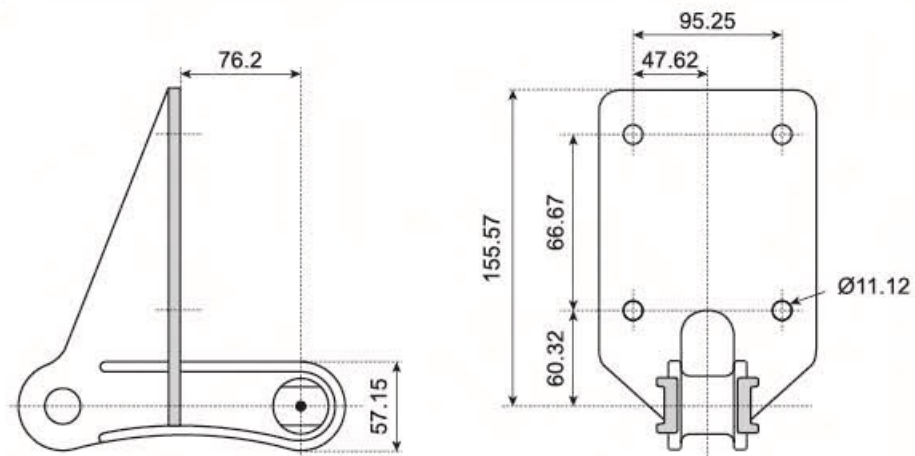
可以按客户要求配加长销。
Extended Pins are Available.



NM720S 传动链
NM720S Drive Chain



NM720S 带附件传动链
NM720S Drive Chain with F-22-6



其它配件 Other Components

